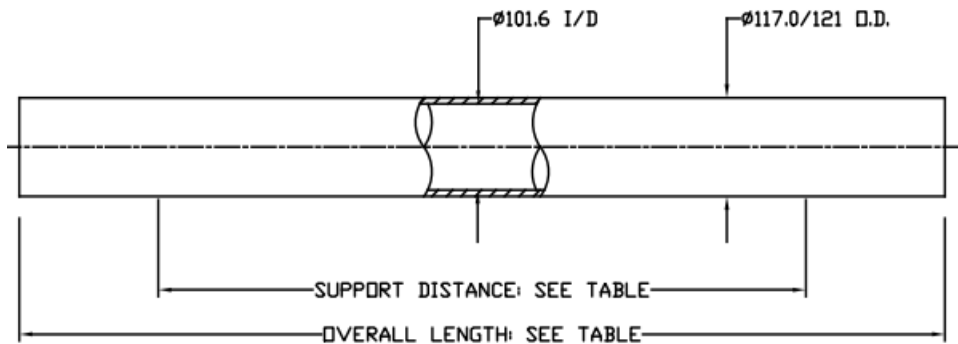


Technical Data Sheet

Working Pressure:	400 psi	Working Temperature:	0°C to 45°C
Assembly Drawing:	1MNC 1209	Design Code:	PED

Product Code: 4E400N Issue: [always request current issue]



No. of 40" Elements	Overall Length +/- 4 mm	Max Support Position	Min Support Position	Max Dry Weight kg
14"	483	300	200	5.0
21"	658	450	200	6.0
1a	1141	800	200	8.0
1.5a	1649	1810	620	11.0
2	2211	2270	1640	14.0
3	3227	2660	2660	19.0
4	4243	2980	2980	25.0
5	5259	4250 C	3670 C	31.0
6	6275	4650 C	4650 C	36.0
7	7291	5400 C	5400 C	41.0
C-Central support required				

Feed & Concentrate Connections: 1/2" BSP (Female)

Product Connections: 3/8" BSP (Female)

Body of vessel is manufactured completely from glass reinforced epoxy resins. Pressure vessels can be produced to cover all leading manufacturers' membranes regardless of length. Please advise membrane type and length when requesting further details. Please adhere to recommended support positions. If in doubt, contact Phoenix Vessel Technology.

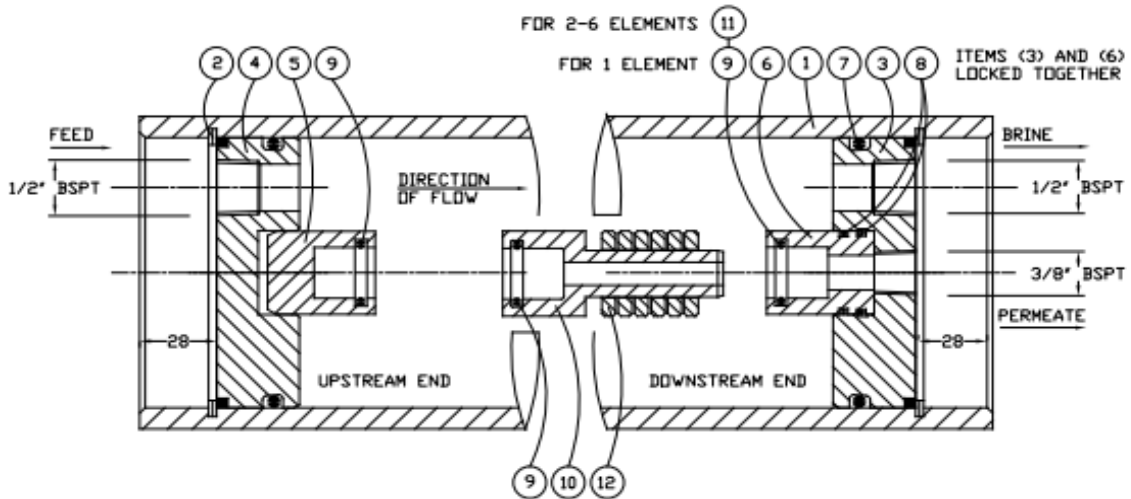
NB: CONFIRM WITH PHOENIX VESSEL TECHNOLOGY THAT YOU ARE WORKING TO THE LATEST DIMENSIONS PRIOR TO ANY RIG DESIGN WORK

All dimensions in mm

All dimensions and weights are nominal unless stated otherwise

Technical Data Sheet

Product Code: 4E400N Issue: [always request current issue]

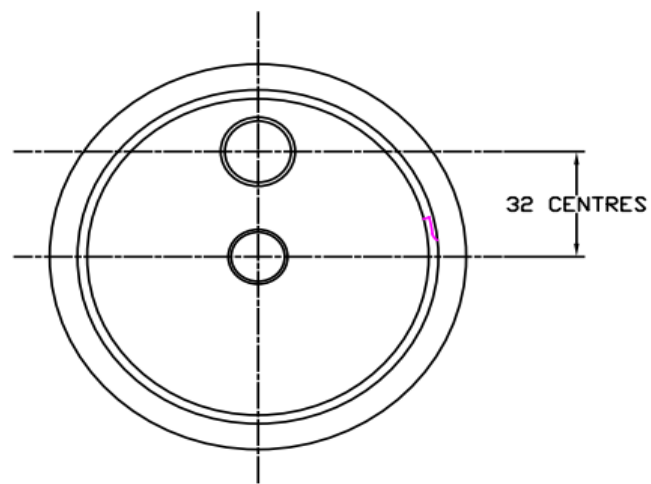
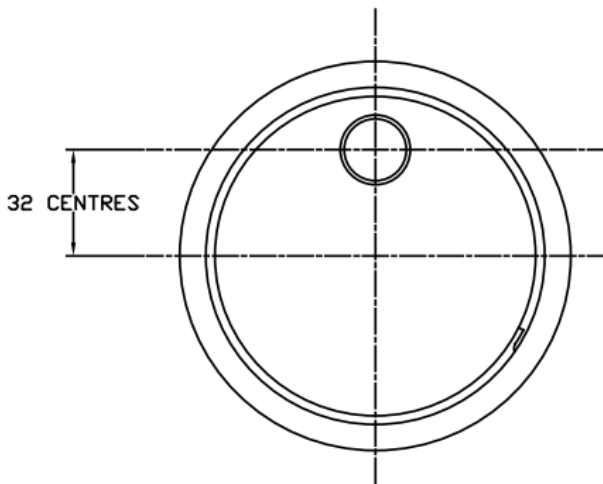


DO NOT EXCEED THE MAXIMUM TORQUE

Item	Description	Material		Part No.	Qty
1	Vessel Body	Glass Fibre Epoxy resin		BDY 1240	1
2	Circlip ring	St. Steel		CMP 1241	2
3	End Plate A	Acetal ('O' Seal included)	BSP	CMP 1263.A	1
4	End Plate B	Acetal ('O' Seal included)	BSP	CMP 1264.A	1
5	Plug	UPVC		To suit membrane	1
6	Hub	UPVC		To suit membrane	1
7	'O' Seal for End Plate	EPDM	(included with item 3&4 but can be purchased separately also)	BS 342	2
8	'O' Seal for Hub	EPDM		To suit membrane	2
9	'O' Seal for Membrane	EPDM		To suit membrane	2
10	Adaptor	UPVC	(Not supplied for single element)	To suit membrane	1
11	'O' Seal	EPDM		To suit membrane	1
12	Shims	ABS	(Not supplied for single element)	CMP 3403	2
	Strap	Stainless Steel / PVC		CMP 3570.A	
	Saddle	Urethane / EDPM		CMP 1115	

Technical Data Sheet

Product Code: 4E400N Issue: [always request current issue]



Phoenix Vessel Technology Limited
Unit 2, The Old Bakery
Lower Tuffley Lane
Gloucester
GL2 5DP
UK

The company reserves the right to alter specifications without prior notice.

This data sheet supersedes all previous issues
For lubricants and general assembly refer to the
User Guide on our Website

T:+44 (0) 1452 311673
E: adam.stait@ravago.com
www.phoenixvessel.co.uk

