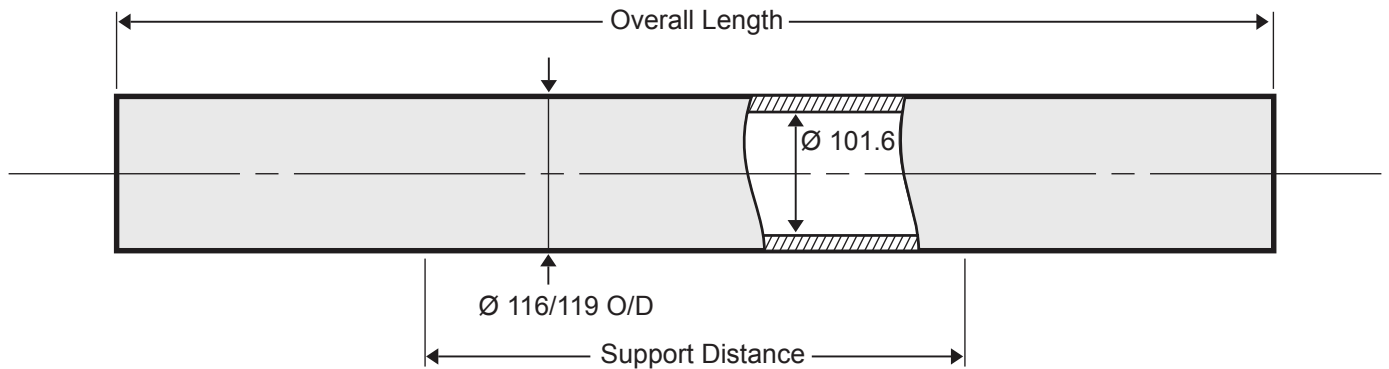




Technical Information Sheet

4" End Port Pressure Vessel 300 psi (20.7 bar)

ORDER REFERENCE
See Box Below



Working Pressure: 300 psi

Working Temperature: 0° to 45°C

Assembly Drawing: 1MNC 3634

Design Code: PED

Body of vessel is manufactured completely from glass reinforced epoxy resins. Pressure vessels can be produced to cover all leading manufacturers membranes regardless of length.

Please advise membrane type and length when requesting further details. Please adhere to recommended support positions, if in doubt contact Phoenix Vessel Technology.

Feed and concentrate connections: 1/2" BSP (Female)

Product connections: 3/8" BSP (Female)

Order Reference	No of 40" Elements	Overall Length +/-4mm	Max Suport Position	Min Support Position	Max Dry Weight
4E300N.(14)	14"	437	300	200	5 kg
4E300N.(21)	21"	614	450	200	6 kg
4E300N.1	1	1097	800	200	8 kg
4E300N.1.5	1.5	1605	1300	400	11 kg
4E300N.2	2	2113	1810	620	14 kg
4E300N.3	3	3129	2270c	1640c	19 kg
4E300N.4	4	4147	2660c	2660c	25 kg
4E300N.4.5	4.5	4655	2980c	2980c	28 kg
4E300N.5	5	5163	4250c	3670c	31 kg
4E300N.6	6	6179	4650c	4650c	36 kg

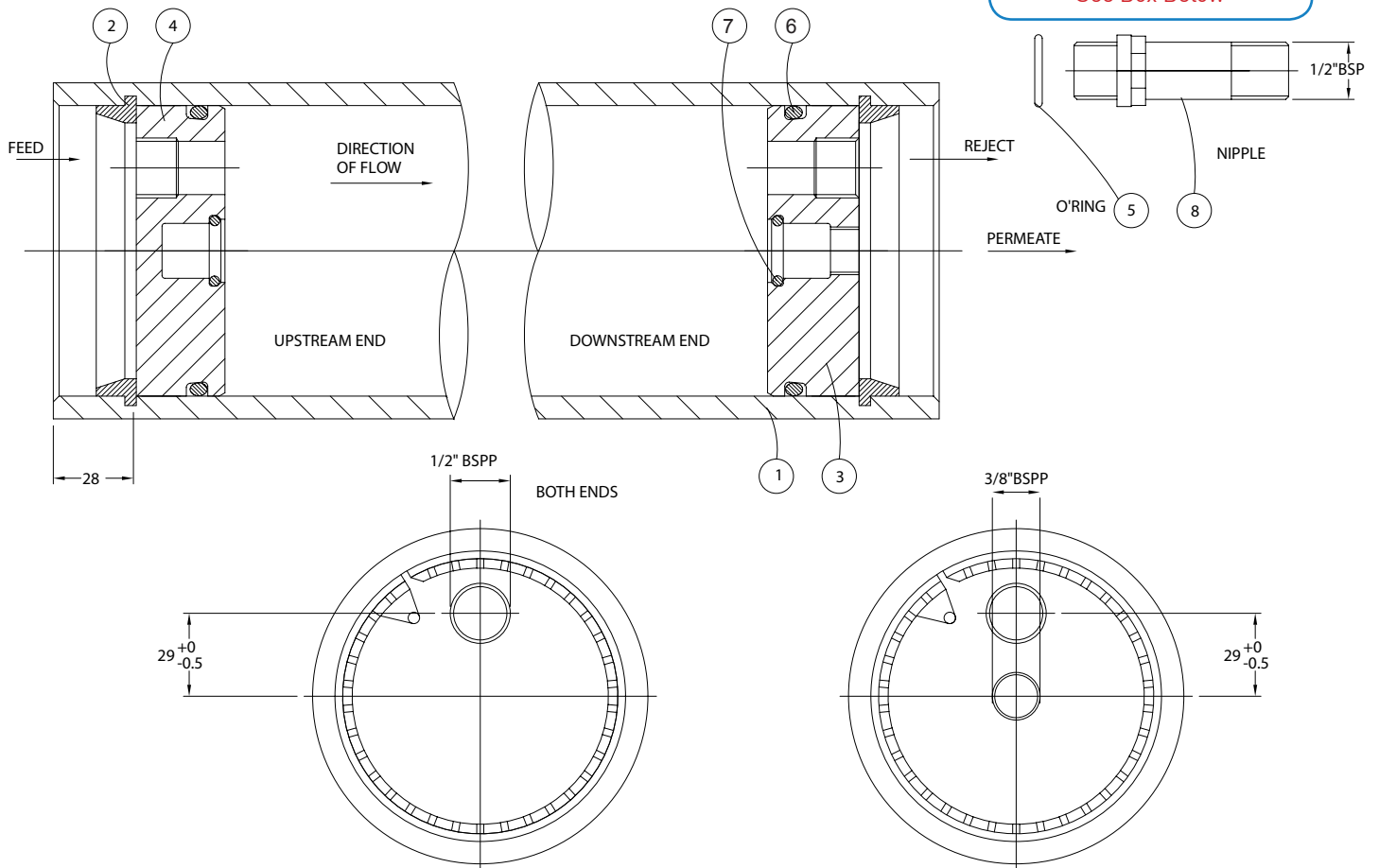
ALL VESSELS ARE PACKED IN SINGLE BOXES

All dimensions in mm.
All dimensions and weights are nominal unless stated otherwise.

This data sheet supersedes all previous issues.
Product Code: 4E300N ISSUE:B

4" End Port Pressure Vessel 300 psi (20.7 bar)

ORDER REFERENCE
See Box Below



Item	Description	Material	Part No.	No.off
1	Vessel Body	Glass Fibre Epoxy Resin	BDY 3853	1
2	Circlip	Thermoplastic	CMP 3818	2
3	End Plate A	Thermoplastic	CMP 3524.A	1
4	End Plate B	Thermoplastic	CMP 3877.A	1
5	'O' Seal	EPDM Included in item 8	BS117	2
6	'O' Seal (Endcap)	EPDM Included in item 3&4	BS342	2
7	'O' Seal (Membrane)	EPDM Included in item 3&4	BS117	2
8	Feed/Concentrate Port	Polypropylene	CMP 3831	2
	Strap (Optional)	St. Steel/PVC	CMP 3570.A	2/3
	Saddle (Optional)	Urethane/EPDM	CMP 1115	2/3

The company reserves the right to alter specifications without prior notice.
This data sheet supersedes all previous issues. Product Code: 4E300N ISSUE:B

DO NOT EXCEED THE MAXIMUM TORQUE.

For lubricants and general assembly refer to the **User Guide** on our website.