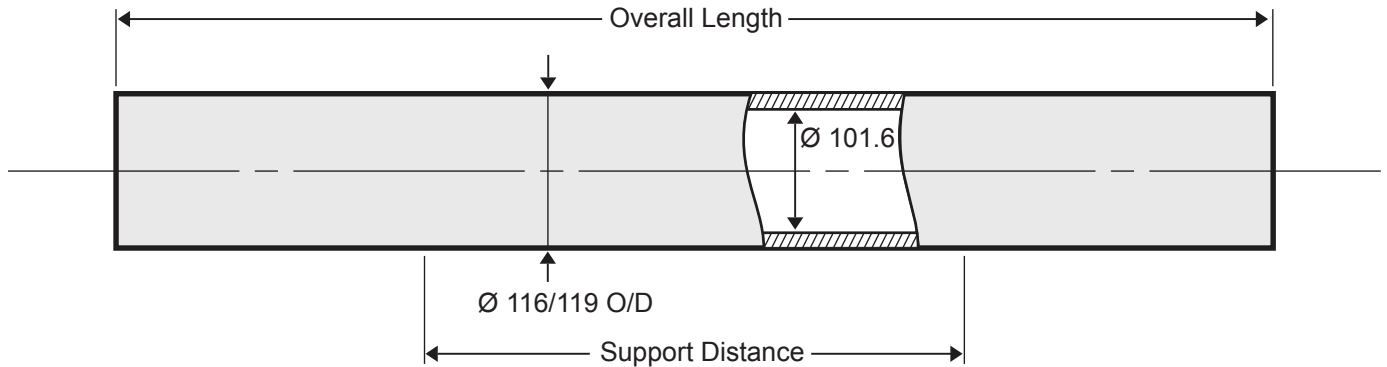




Technical Information Sheet

4" End Port Pressure Vessel 350 psi (24.2 bar)

ORDER REFERENCE
See Box Below



Working Pressure: 350 psi

Working Temperature: 0° to 45° C

Assembly Drawing: 1MNC 3307

Design Code: PED

Body of vessel is manufactured completely from glass reinforced epoxy resins. Pressure vessels can be produced to cover all leading manufacturers membranes regardless of length. Please advise membrane type and length when requesting further details. Please adhere to recommended support positions, if in doubt contact Phoenix Vessel Technology.

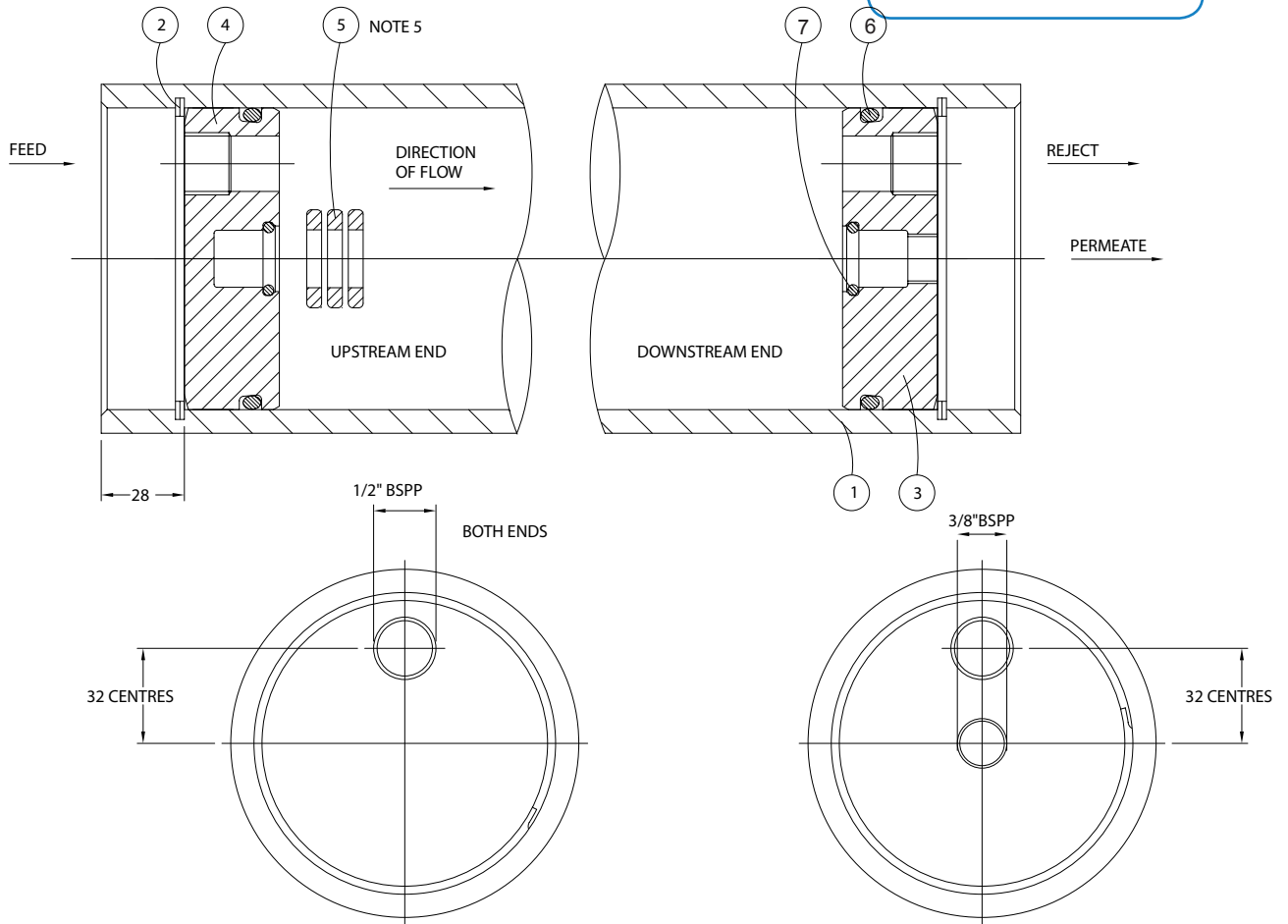
Feed and concentrate connections: 1/2" BSP (Female)

Product connections: 3/8" BSP (Female)

Order Reference	No of 40" Elements	Overall Length +/-4mm	Max Suport Position	Min Support Position	Max Dry Weight
4E350N.(14)	14"	437	300	200	5 kg
4E350N.(21)	21"	614	540	200	6 kg
4E350N.1	1	1097	800	200	8 kg
4E350N.1.5	1.5	1605	1300	400	11 kg
4E350N.2	2	2113	1810	620	14 kg
4E350N.3	3	3129	2270	1640	18 kg
4E350N.4	4	4147	2660	2660	25 kg
4E350N.4.5	4.5	4655	2980	2980	28 kg
4E350N.5	5	5163	4250 c	3670 c	31 kg
4E350N.6	6	6179	4650 c	4650 c	36 kg
4E350N.7	7	7195	5400 c	5400 c	41 kg

4" End Port Pressure Vessel 350 psi (24.2 bar)

ORDER REFERENCE
See Box Below



Item	Description	Material	Part No.	No.off
1	Vessel Body	Glass Fibre Epoxy Resin	BDY 3135	1
2	Circlip Ring	St. Steel	CMP 1241	2
3	End Plate A	Thermoplastic	BSPP CMP 2891.A	1
4	End Plate B	Thermoplastic	BSPP CMP 2892.A	1
5	Shim (For 4-7 lengths)	ABS	CMP 3403	3
6	'O' Seal (End Plate)	EPDM Included in item 3&4	BS342	2
7	'O' Seal (Membrane)	EPDM Included in item 6	BS210	2
	Strap (Optional)	St. Steel/PVC	CMP 3570.A	2/3
	Saddle (Optional)	Urethane/EPDM	CMP 1115	2/3

The company reserves the right to alter specifications without prior notice.
This data sheet supersedes all previous issues. Product Code: 4E350N ISSUE:B

DO NOT EXCEED THE MAXIMUM TORQUE.

For lubricants and general assembly refer to
the **User Guide** on our website.