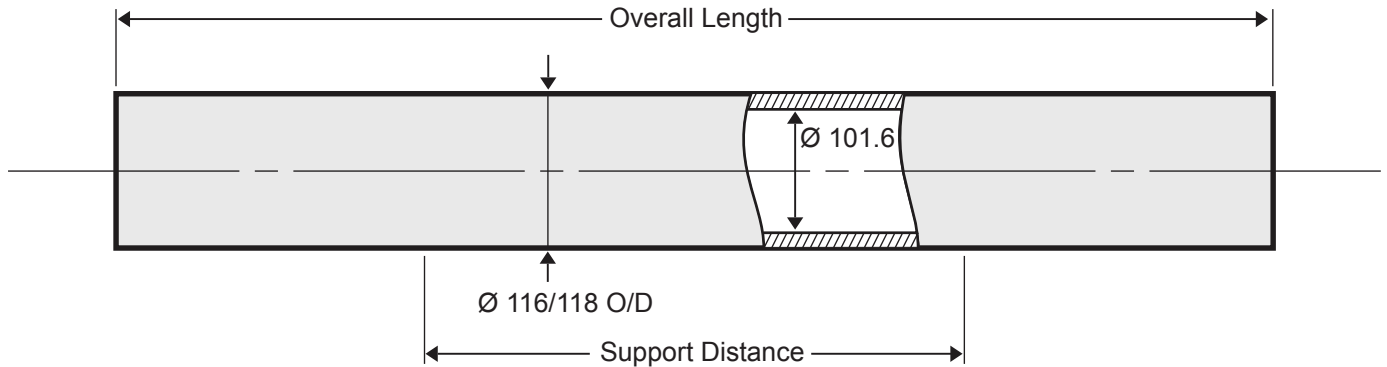




## 4" End Port Pressure Vessel 400 psi (27.6 bar)

**ORDER REFERENCE**  
See Box Below



**Working Pressure:** 400 psi

**Working Temperature:** 0° to 45° C

**Assembly Drawing:** 1MNC 1209

**Design Code:** PED

Body of vessel is manufactured completely from glass reinforced epoxy resins. Pressure vessels can be produced to cover all leading manufacturers membranes regardless of length. Please advise membrane type and length when requesting further details. Please adhere to recommended support positions, if in doubt contact Phoenix Vessel Technology.

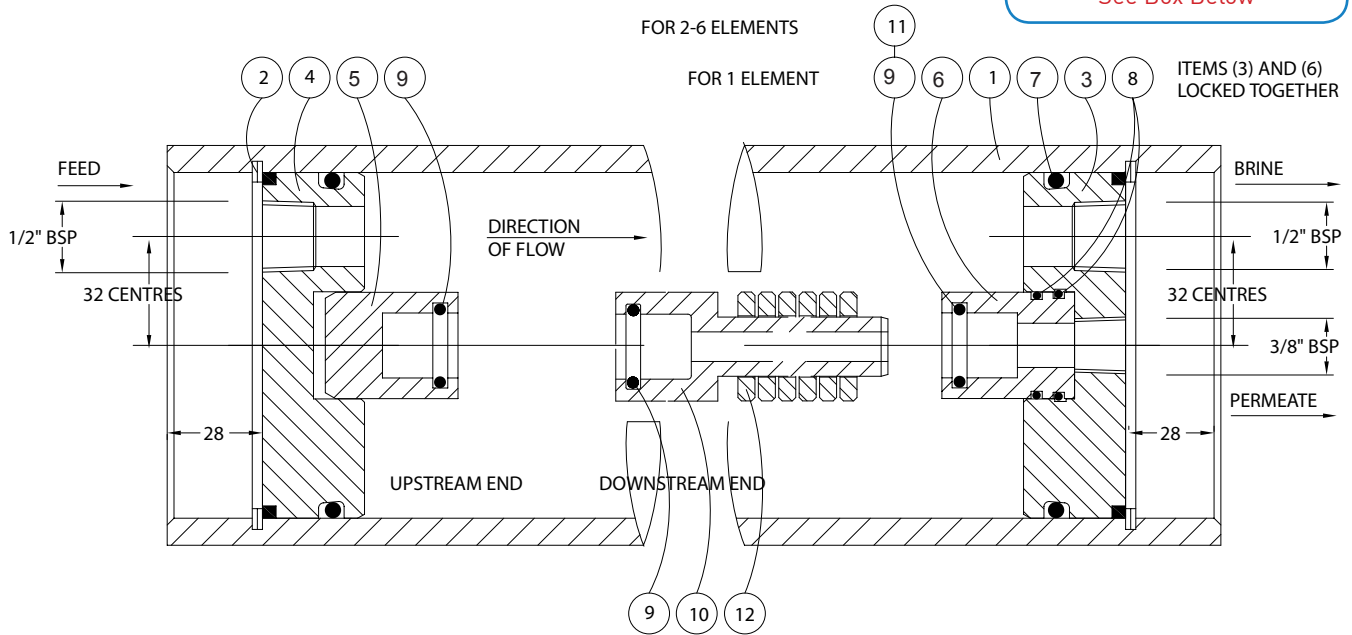
**Feed and concentrate connections:** 1/2" BSP (Female)

**Product connections:** 3/8" BSP (Female)

Order Reference	No of 40" Elements	Overall Length +/-4mm	Max Suport Position	Min Support Position	Max Dry Weight
4E400N.(14)	14"	483	300	200	5 kg
4E400N.(21)	21"	660	450	200	6 kg
4E400N.1	1	1143	800	200	8 kg
4E400N.2	2	2210	1810	620	14 kg
4E400N.3	3	3226	2270	1640	19 kg
4E400N.4	4	4242	2660	2660	25 kg
4E400N.4.5	4.5	4750	2980	2980	28 kg
4E400N.5	5	5258	4250c	3670c	31 kg
4E400N.6	6	6274	4650c	4650c	36 kg

## 4" End Port Pressure Vessel 400 psi (27.6 bar)

**ORDER REFERENCE**  
See Box Below



Item	Description	Material	Part No.	No.off
1	Vessel Body	Glass Fibre Epoxy Resin	BDY 1240	1
2	Circlip Ring	St. Steel	CMP 1241	2
3	End Plate A	Acetal	CMP 1263.A	1
4	End Plate B	Acetal	CMP 1264.A	1
5	Plug	Thermoplastic	To suit membrane	2
6	Hub	Thermoplastic	To suit membrane	2
7	'O' Seal (Endcap))	EPDM Included in item 3&4	BS342	2
8	'O' Seal (Adaptor)	EPDM	To suit membrane	2
9	'O' Seal (Membrane)	EPDM	To suit membrane	2
10	Adaptor	Thermoplastic	To suit membrane	1
11	'O' Seal	EPDM	To suit membrane	2
12	Shim (For 2-6 elements)	ABS	CMP 3403	6
	Strap (Optional)	St. Steel/PVC	CMP 3570.A	2/3
	Saddle (Optional)	Urethane/EPDM	CMP 1115	2/3
	Thrust Ring (Optional)	Thermoplastic	To suit membrane	1

**OPTIONS:**

- 1. Thrust Ring
- 2. Vessel Available permeate flow from either end.

The company reserves the right to alter specifications without prior notice.  
This data sheet supersedes all previous issues. Product Code: 4E400N ISSUE:H

**DO NOT EXCEED THE MAXIMUM TORQUE.**

For lubricants and general assembly refer to the **User Guide** on our website.