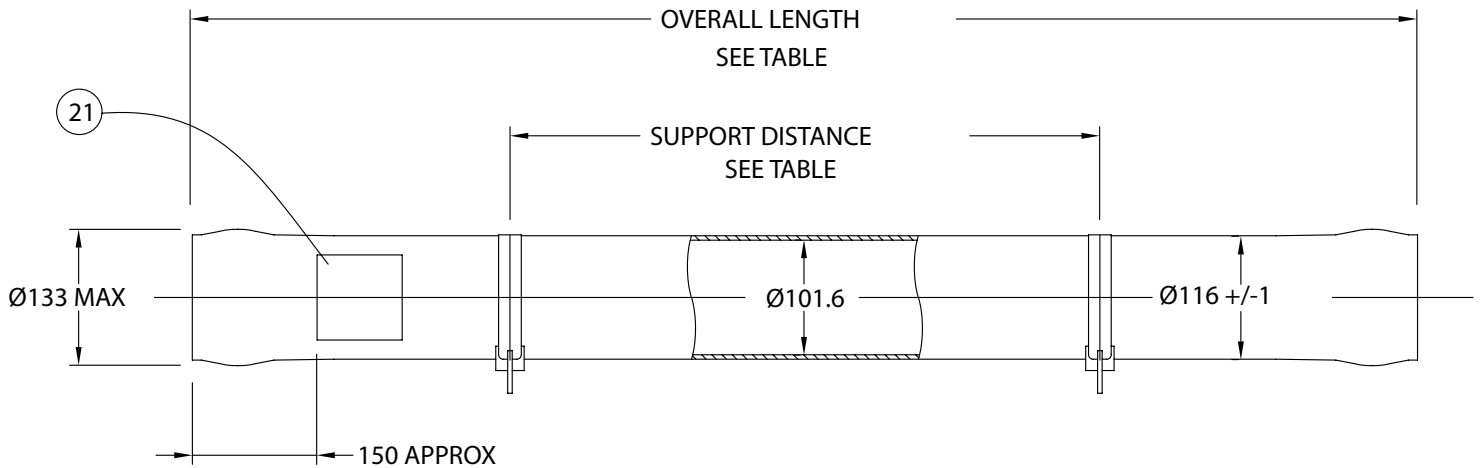




Technical Information Sheet

4" End Port Pressure Vessel 600 psi (41.4 bar)

ORDER REFERENCE
See Box Below



Working Pressure: 600 psi

Working Temperature: 0° to 45°C

Assembly Drawing: 1MNC 1619

Design Code: PED

Body of vessel is manufactured completely from glass reinforced epoxy resins. Pressure vessels can be produced to cover all leading manufacturers membranes regardless of length. Please advise membrane type and length when requesting further details. Please adhere to recommended support positions, if in doubt contact Phoenix Vessel Technology.

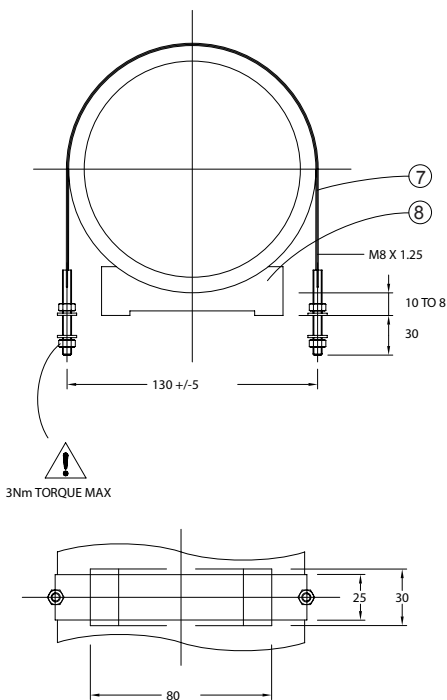
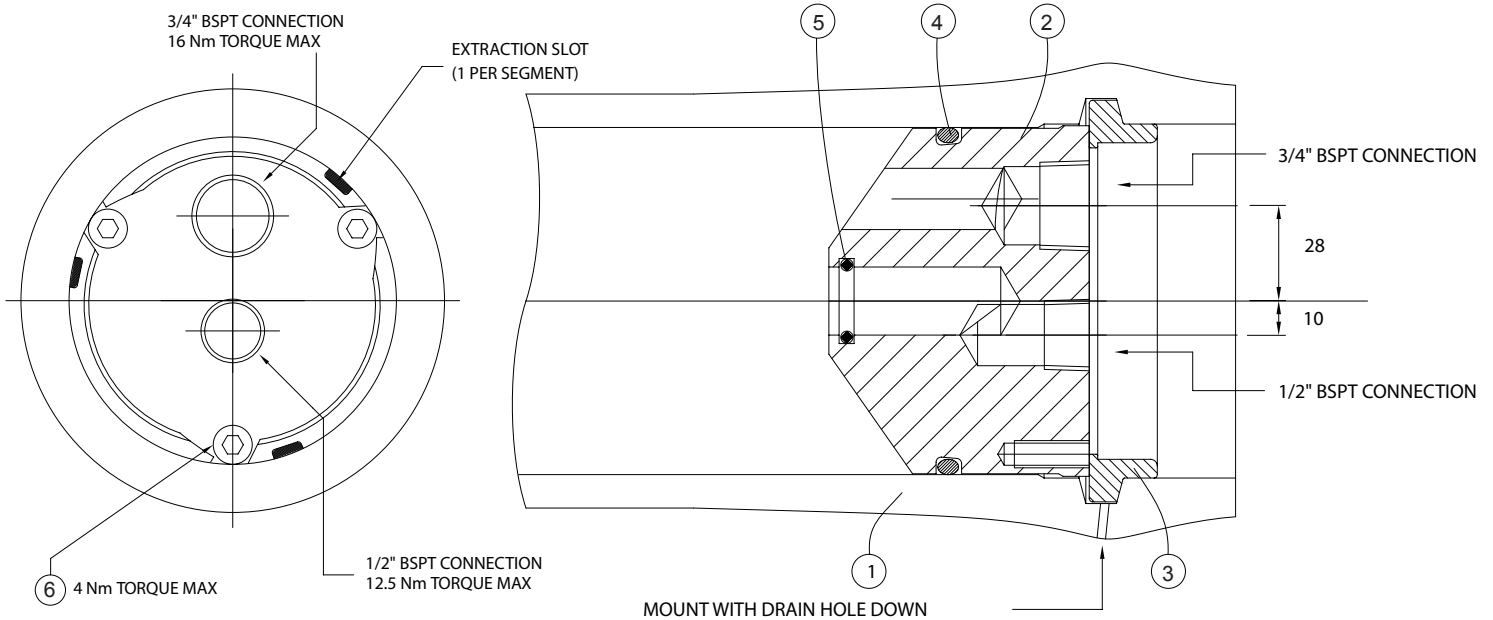
Feed and concentrate connections: 3/4" BSP (Female)

Product connections: 1/2" BSP (Female)

Order Reference	No of 40" Elements	Overall Length +/-4mm	Max Suport Position	Min Support Position	Max Dry Weight
4E600N.1	1	1197	800	200	12.0 kg
4E600N.2	2	2213	1630	1030	17.2 kg
4E600N.3	3	3229	2625c	2025c	22.4 kg
4E600N.4	4	4245	3360c	2760c	27.6 kg
4E600N.5	5	5261	4090c	3490c	32.8 kg
4E600N.6	6	6277	4820c	4220c	38.0 kg

4" End Port Pressure Vessel 600 psi (41.4 bar)

ORDER REFERENCE
See Box Below



Item	Description	Material	Part No.	No.off
1	Vessel Body	Glass Fibre Epoxy Resin	BDY 3993	1
2	Backing Plate	Thermoplastic	CMP 3895	2
3	Retaining Ring Segment	St. Steel 316	CMP 1104	2 Sets of 3
4	'O' Seal (Endcap)	EPDM Included in item 2	BS342	2
5	'O' Seal (Endcap)	EPDM Included in item 2	BS210	2
6	Cap Head Screw	St. Steel A4 Grade	CMP 1077	4
7	Strap (Optional)	St. Steel/PVC	CMP 3570.A	2/3
8	Saddle (Optional)	Urethane/EPDM	CMP 1115	2/3
9	Shim (2 to 7 element)	ABS	CMP 3406	6

The company reserves the right to alter specifications without prior notice.
This data sheet supersedes all previous issues. Product Code: 4E600N ISSUE:G

DO NOT EXCEED THE MAXIMUM TORQUE.

For lubricants and general assembly refer to
the **User Guide** on our website.