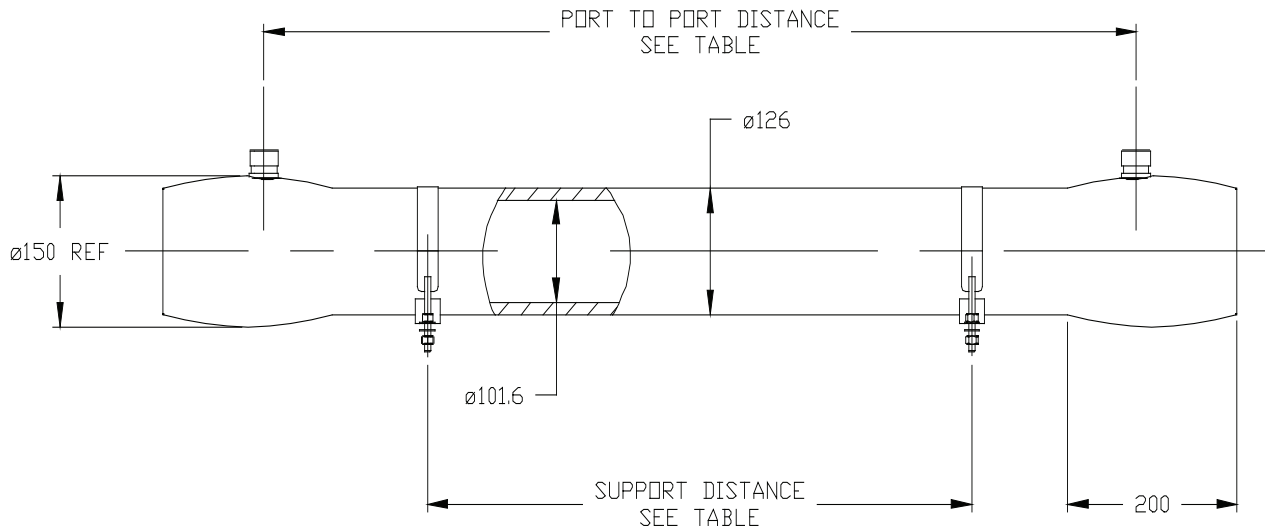




Technical Information Sheet

4" Side Port Pressure Vessel 1200 psi (82.8 bar)

ORDER REFERENCE
See Box Below



Working Pressure: 1200 psi

Working Temperature: -7^o to 45^oC

Assembly Drawing: 4196

Design Code: ASME X

Body of vessel is manufactured completely from glass reinforced epoxy resins. Pressure vessels can be produced to cover all leading manufacturers membranes regardless of length. Please advise membrane type and length when requesting further details. Please adhere to recommended support positions, if in doubt contact Phoenix Vessel Technology.

Feed and concentrate connections: 1" Victaulic

Product connections: 1/2" BSP (Male)

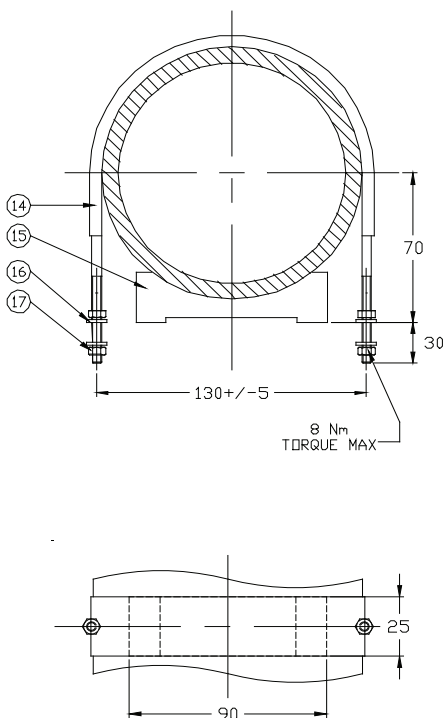
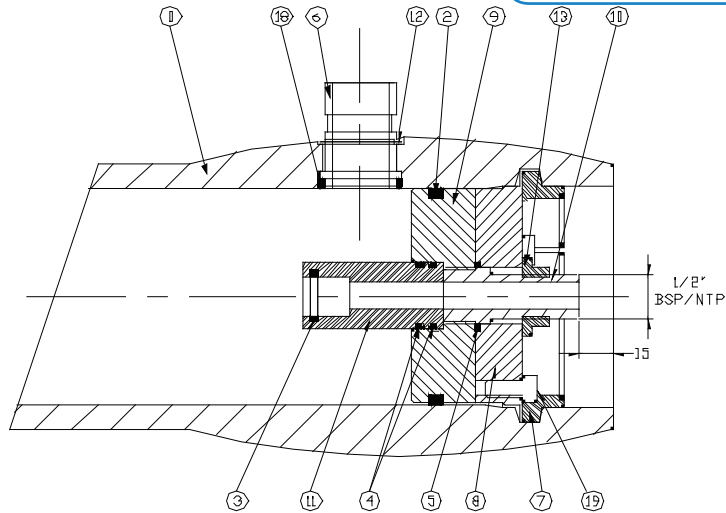
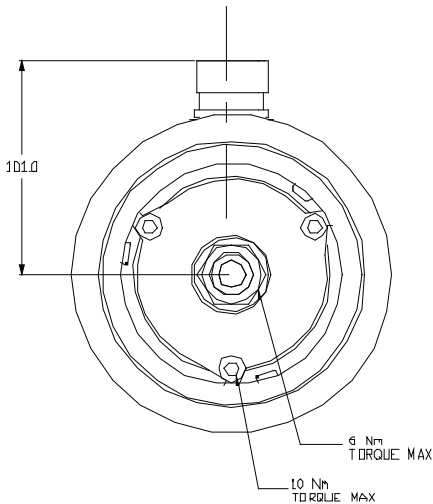
Order Reference	No of 40" Elements	Port to Port Length +/-4mm	Max Suport Position	Min Support Position	Max Dry Weight
4S1200X.1	1	1032	800	500	21 kg
4S1200X.2	2	2048	1600	1200	30kg
4S1200X.3	3	3064	2200	1800	39 kg
4S1200X.4	4	4080	2800	2400	47 kg
4S1200X.5	5	5096	4075c	3675c	55 kg
4S1200X.6	6	6122	4800c	4400c	63 kg
4S1200X.7	7	7128	5500c	5100c	71 kg

All dimensions in mm.
All dimensions and weights are nominal unless stated otherwise.

This data sheet supersedes all previous issues.
Product Code: 4S1200X ISSUE:F

4" Side Port Pressure Vessel 1200 psi (82.8 bar)

ORDER REFERENCE
See Box Below



Item	Description	Material	Part No.	No.off
1	Vessel Body	Glass Fibre Epoxy Resin	BDY 4123	1
2	'O' Seal (Endplate)	EPDM Included in item 9	BS342	2
3	'O' Seal (Hub/Membrane)	EPDM Included in item 11	BS210	2
4	'O' Seal (Endplate/Hub)	EPDM Included in item 11	BS121	4
5	'O' Seal (Product Tube)	EPDM Included in item 10	BS215	2
6	Feed/Concentrate Port	Duplex Stainless Steel	CMP 4252.A	2
7	Retaining Ring Segment	St. Steel 316	CMP 1104	2 Sets of 3
8	Backing Plate	St. Steel 316	CMP 4163	2
9	End Plate	Thermoplastic	CMP 4164.A	2
10	Product Tube	Thermoplastic	CMP 2261.A	2
11	Hub	Thermoplastic	CMP1637.A	2
12	Circlip (Feed /Concentrate Port)	St. Sl. 302 Included in item 6	CMP 4234	2
13	Backnut 1/2" BSP	Thermoplastic	CMP 1423	2
14	Strap (inc 16 & 17)	St. Steel/PVC	CMP 3570.A	2/3
15	Saddle	Urethane	CMP 1115	2/3
18	'O' Seal (Feed port)	EPDM Included in item 6	BS218	2
19	Cap Head Screw	St.Steel A4 Grade	CMP 1077	6

For lubricants and general assembly refer to the [User Guide on our website](#).

DO NOT EXCEED THE MAXIMUM TORQUE.