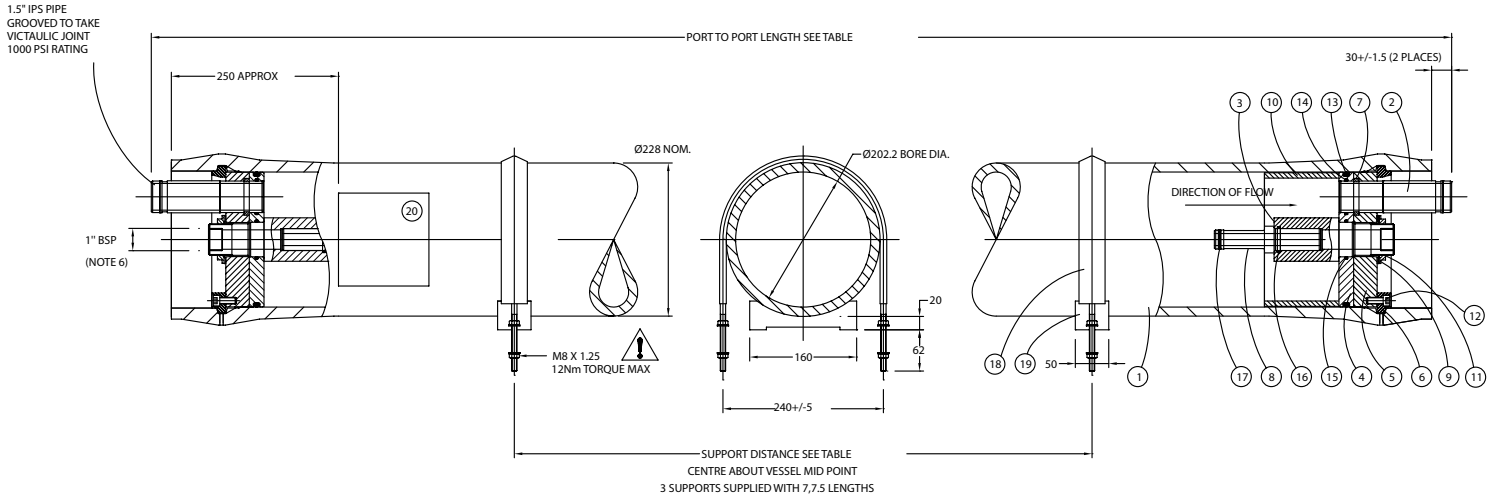




# Technical Information Sheet

## 8" End Port Pressure Vessel 1000 psi (69.0 bar)

**ORDER REFERENCE**  
See Box Below



**Working Pressure:** 1000 psi

**Working Temperature:** -7<sup>0</sup> to 45<sup>0</sup> C

**Assembly Drawing:** 1MNC 3343

**Design Code:** PED

Body of vessel is manufactured completely from glass reinforced epoxy resins. Pressure vessels can be produced to cover all leading manufacturers membranes regardless of length. Please advise membrane type and length when requesting further details. Please adhere to recommended support positions, if in doubt contact Phoenix Vessel Technology.

**Feed and concentrate connections:** 1.5" Victaulic. **Product connections:** 1.0" BSP (Female)

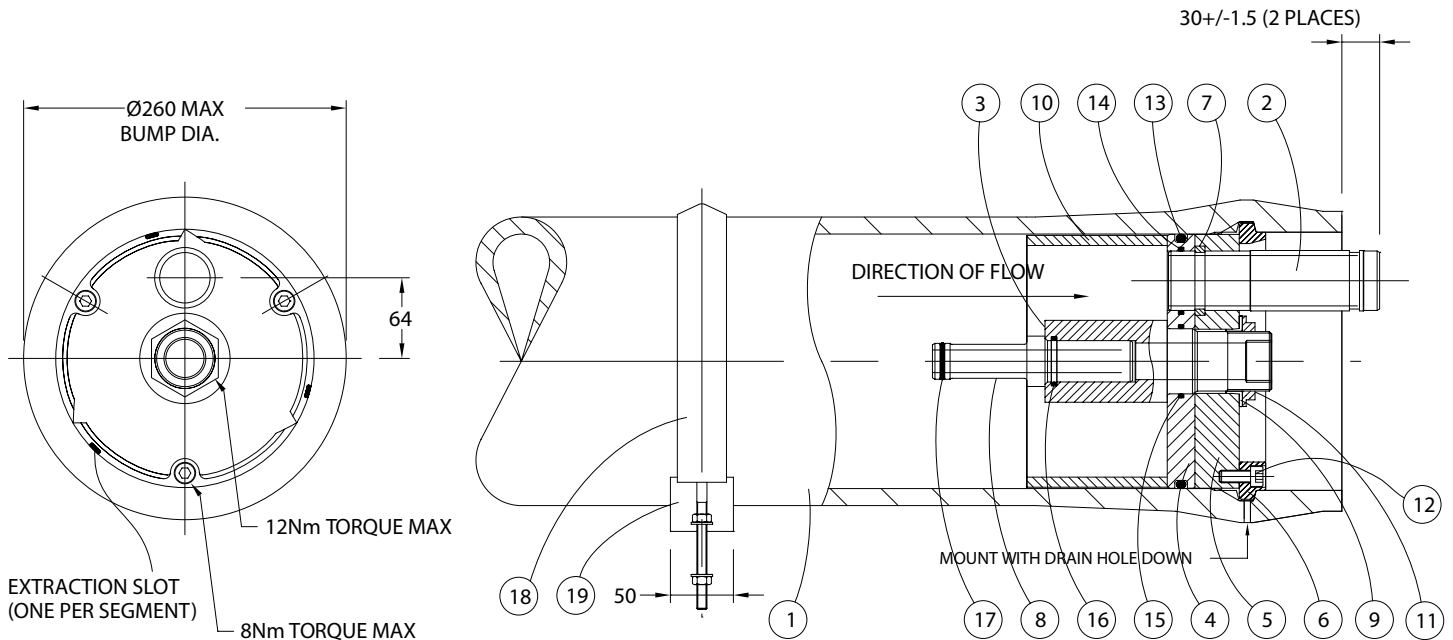
Order Reference	No of 40" Elements	Port to Port Length +/-4mm	Max Support Position	Min Supports Position	Max Dry Weight
8E1000N.1	1	1600	875	500	50 kg
8E1000N.1.5	1.5	2108	1400	500	60 kg
8E1000N.2	2	2616	1890	500	70 kg
8E1000N.3	3	3632	2910c	960c	90 kg
8E1000N.4	4	4648	3190c	1970c	109 kg
8E1000N.4.5	4.5	5156	3375c	2480c	119 kg
8E1000N.5	5	5664	3560c	2990c	129 kg
8E1000N.6	6	6680	4020c	4020c	148 kg
8E1000N.7	7	7696	6170c	5090c	168 kg
8E1000N.7.5	7.5	8204	6220c	5330c	178 kg

All dimensions in mm. c = Central support required.  
All dimensions and weights are nominal unless stated otherwise.

This data sheet supersedes all previous issues.  
Product Code: 8E1000N ISSUE:A

## 8" End Port Pressure Vessel 1000 psi (69.0 bar)

**ORDER REFERENCE**  
See Box Below



Item	Description	Material	Part No.	No.off
1	Vessel Body	Glass Fibre Epoxy Resin	BDY 3465	1
2	Feed/Concentrate Port	Duplex Stainless Steel - 2507	CMP 2493	2
3	Product Port	Thermoplastic	CMP 3366.A	2
4	End Plate	Thermoplastic	CMP 1397.A	2
5	Backing Plate	Anodised Aluminium	CMP 1635	2
6	Retaining Ring Segment	St. Steel 316	CMP 1469	2 set of 3
7	Retaining Ring (Port)	St. Steel 316 (Included in item 2)	CMP 1176	2
8	Adaptor	Thermoplastic	To suit membrane	2
9	Anti-rotation Collet	Thermoplastic	CMP 1894	2
10	Thrust Ring	Thermoplastic	CMP 1228	1
11	1.5" BSP Backnut	St. Steel	CMP 1979	2
12	Cap Head Screw	St. Steel Grade A2	CMP 1520	6
13	'O' Seal Endplate	EPDM (Included in item 4)	BS882	2
14	'O' Seal Feed Port	EPDM (Included in item 4)	BS225	2
15	'O' Seal Prod/Endplate	EPDM (Included in item 4)	BS832	2
16	'O' Seal Prod/Adaptor	EPDM (Included in item 3)	BS219	2
17	'O' Seal Adaptor	EPDM (Included in item 9)	To suit membrane	4
18	Strap	St.Steel/PVC	CMP 3426.A	2/3
19	Saddle	Polypropylene	CMP 3920	2/3
	Adaptor Spacer Shims	ABS (included in item 9)	CMP 1674	8

For lubricants and general assembly refer to the **User Guide** on our website.

**DO NOT EXCEED THE MAXIMUM TORQUE.**

The company reserves the right to alter specifications without prior notice.  
This data sheet supersedes all previous issues. Product Code: 8E1000N ISSUE:A