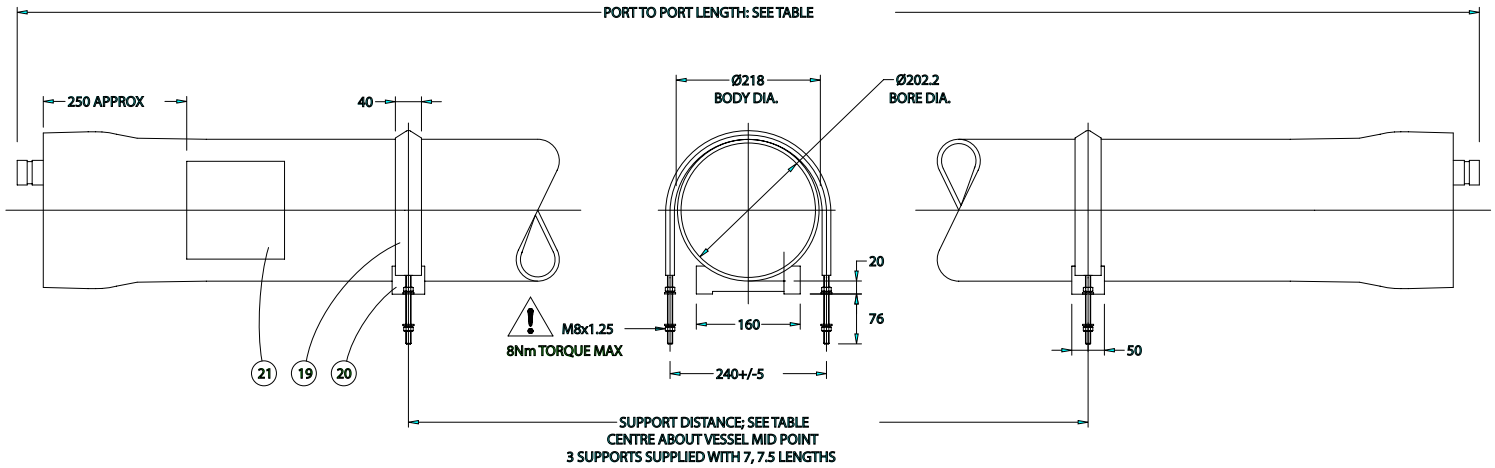




Technical Information Sheet

8" End Port Pressure Vessel 300 psi (20.7 bar)

ORDER REFERENCE
See Box Below



Working Pressure: 300 psi

Working Temperature: 0° to 45° C

Assembly Drawing: 1MNC 3017

Design Code: PED

Body of vessel is manufactured completely from glass reinforced epoxy resins. Pressure vessels can be produced to cover all leading manufacturers membranes regardless of length. Please advise membrane type and length when requesting further details. Please adhere to recommended support positions, if in doubt contact Phoenix Vessel Technology.

Feed and concentrate connections: 1.5" Victaulic.

Concentrate connections: 1.0" BSP (Female)

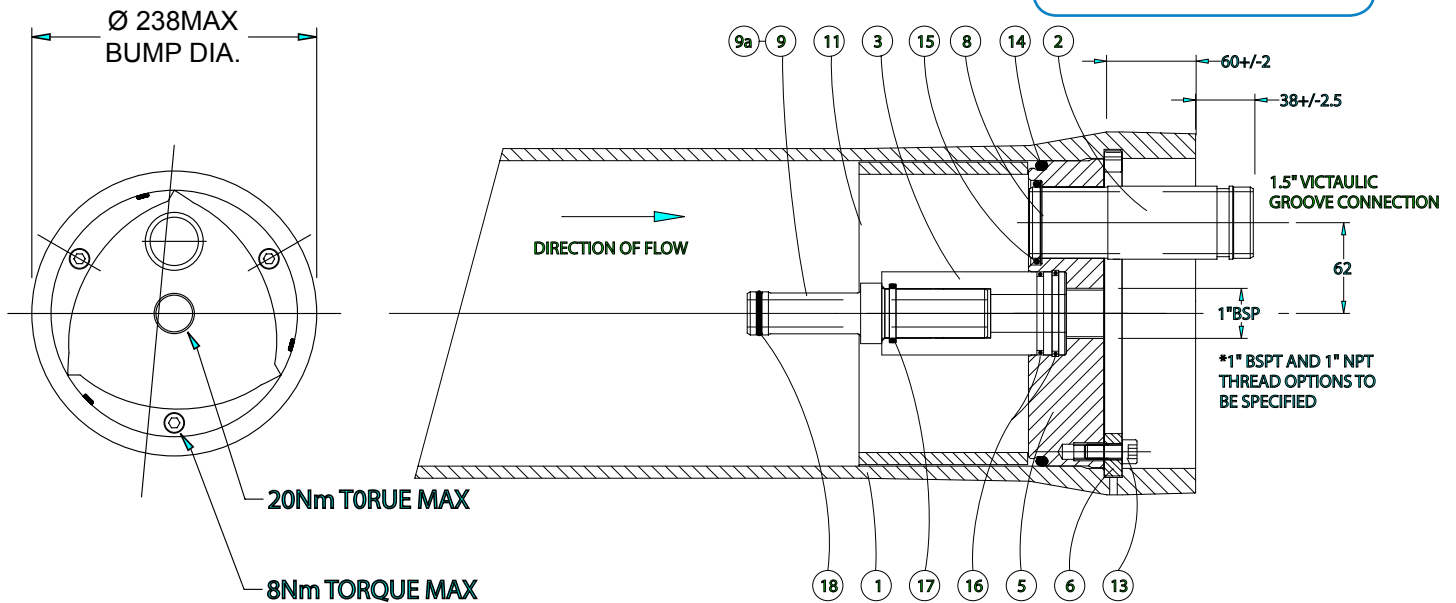
Order Reference	No of 40" Elements	Port to Port Length +/-4mm	2 Supports Max/Min	3 Supports Max/Min	Max Dry Weight
8E300N.1	1	1549	1100-700	-	22 kg
8E300N.1.5	1.5	2057	1400-1000	-	26 kg
8E300N.2	2	2565	1800-1300	-	30 kg
8E300N.3	3	3581	2400-1800	2400-1800	38 kg
8E300N.4	4	4597	2950-2400	3250-2400	46 kg
8E300N.4.5	4.5	5105	3200-2800	3700-2800	50 kg
8E300N.5	5	5613	3450-3150	4150-3150	56 kg
8E300N.6	6	6629	4000-3800	5000-3800	65 kg
8E300N.7	7	7645	-	5850-4850	74 kg
8E300N.7.5	7.5	8153	-	6200-5350	78 kg

All dimensions in mm. c = Central support required.
All dimensions and weights are nominal unless stated otherwise.

This data sheet supersedes all previous issues.
Product Code: 8E300N ISSUE:K

8" End Port Pressure Vessel 300 psi (20.7 bar)

ORDER REFERENCE
See Box Below



Item	Description	Material	Part No.	No.off
1	Vessel Body	Glass Fibre Epoxy Resin	BDY 3108	1
2	Feed/Concentrate Port	St.Steel - 316	CMP 2476.A	2
3	Hub	Thermoplastic	CMP 1550.A	2
5	End Cap	Thermoplastic	CMP 2858.A	2
6	Retaining Ring Segment	Composite	CMP 2526	2 set of 3
8	Spiroloc Circlip	St. Steel 302 (included in item 2)	CMP 3062	2
9	Adaptor	Thermoplastic	To suit membrane	2
9a	Adaptor Spacer Shims	ABS (included in item 9)	CMP 1674	8
11	Thrust Ring	Thermoplastic	CMP 1228	1
13	Cap Head Screw	St. Steel Grade A2	CMP 1520	6
14	'O' Seal End Cap	EPDM (Included in item 5)	BS882	2
15	'O' Seal Feed/End Cap	EPDM (Included in item 2)	BS327	2
16	'O' Seal Feed/End Cap	EPDM (Included in item 3)	BS225	4
17	'O' Seal Prod/Adaptor	EPDM (Included in item 3)	BS219	2
18	'O' Seal Adaptor	EPDM (Included in item 9)	To suit membrane	2/4
19	Strap	St.Steel/PVC	CMP 3426.A	2/3
20	Saddle	Polypropylene	CMP 3919	2/3

For lubricants and general assembly refer to the **User Guide** on our website.

The company reserves the right to alter specifications without prior notice.
This data sheet supersedes all previous issues. Product Code: 8E300N ISSUE:K

DO NOT EXCEED THE MAXIMUM TORQUE.