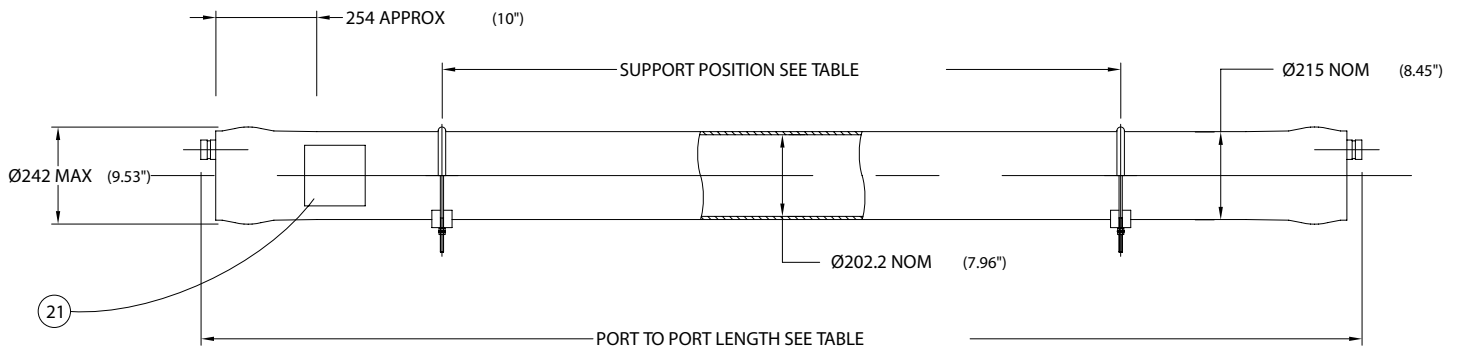




# Technical Information Sheet

## 8" End Port Pressure Vessel 400 psi (27.6 bar)

**ORDER REFERENCE**  
See Box Below



**Working Pressure:** 400 psi

**Working Temperature:**  $-7^{\circ}$  to  $45^{\circ}$  C

**Assembly Drawing:** 1MNC 1615

**Design Code:** ASME X

Body of vessel is manufactured completely from glass reinforced epoxy resins. Pressure vessels can be produced to cover all leading manufacturers membranes regardless of length. Please advise membrane type and length when requesting further details. Please adhere to recommended support positions, if in doubt contact Phoenix Vessel Technology.

**Feed and concentrate connections:** 1.5" Victaulic.

**Concentrate connections:** 1.5" BSP Parallel (male) or 1.0" BSP (Female)

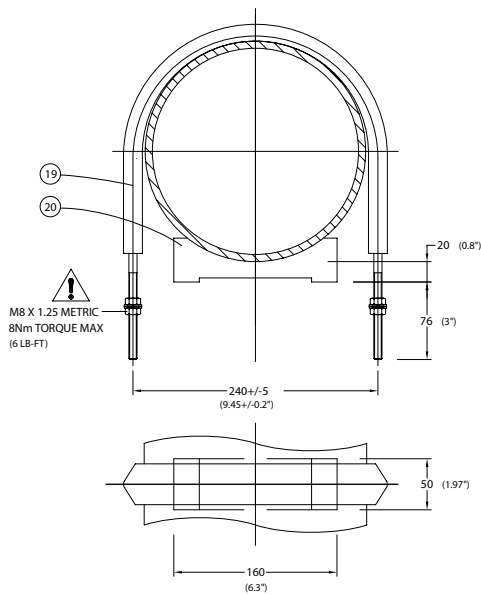
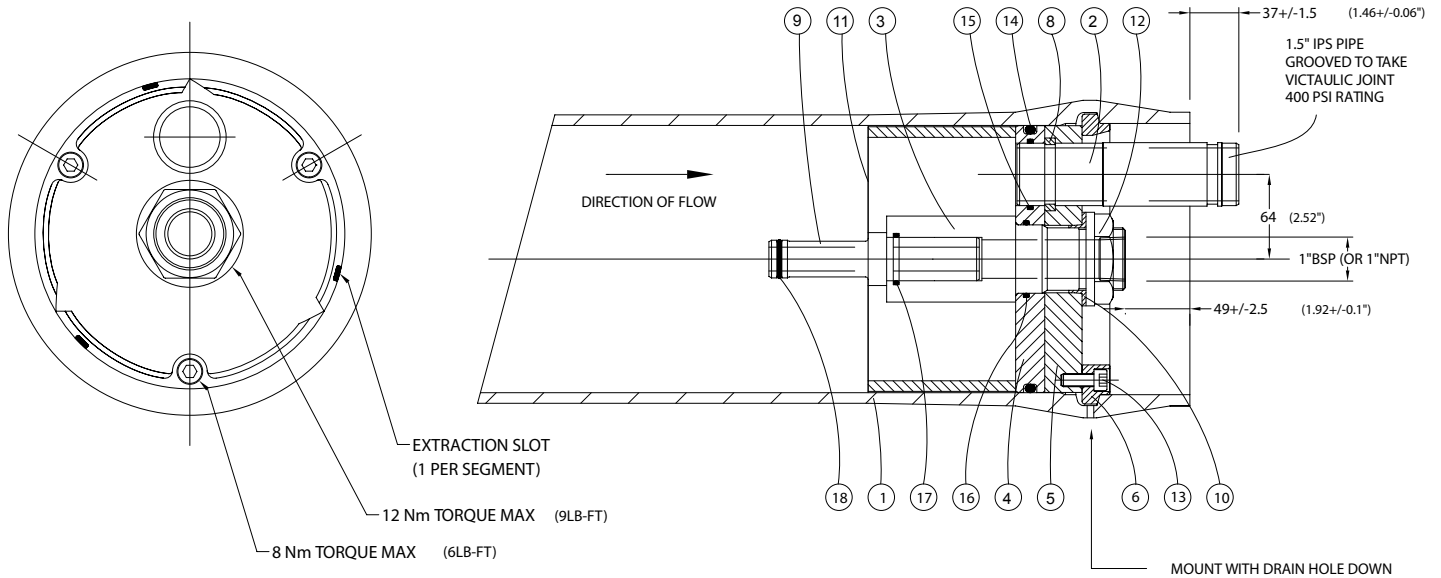
Order Reference	No of 40" Elements	Port to Port Length +/-4mm	2 Supports Max/Min	3 Supports Max/Min	Max Dry Weight
8E400X.1	1	1600	875	500	31 kg
8E400X.1.5	1.5	2108	1400	500	36 kg
8E400X.2	2	2616	1890	500	41 kg
8E400X.3	3	3632	2910	960	52 kg
8E400X.4	4	4648	3190c	1970c	63 kg
8E400X.4.5	4.5	5156	3375c	2480c	69 kg
8E400X.5	5	5664	3560c	2990c	74 kg
8E400X.6	6	6680	4020c	4020c	86 kg
8E400X.7	7	7696	6170c	5090c	98 kg
8E400X.7.5	7.5	8204	6220c	5330c	103 kg

All dimensions in mm. c = Central support required.  
All dimensions and weights are nominal unless stated otherwise.

This data sheet supersedes all previous issues.  
Product Code: 8E400X ISSUE:G

## 8" End Port Pressure Vessel 400 psi (27.6 bar)

**ORDER REFERENCE**  
See Box Below



For lubricants and general assembly refer to the [User Guide on our website](#).

Item	Description	Material	Part No.	No.off
1	Vessel Body	Glass Fibre Epoxy Resin	BDY 1221	1
2	Feed/Concentrate Port	St.Steel - 316	CMP 1183	2
3	Product Port	Thermoplastic	CMP 3366.A	2
4	End Plate	Thermoplastic	CMP 1397.A	2
5	Backing Plate	Anodised Aluminium	CMP 1636	2
6	Retaining Ring Segment	St. Steel 316	CMP 1469	2 set of 3
8	Retaining Ring (Port)	St. Steel 316	CMP 1176	2
9	Adaptor	Thermoplastic	To suit membrane	2
10	Anti-rotation Collet	Thermoplastic	CMP 1894	2
11	Thrust Ring	Thermoplastic	CMP 1228	1
12	1.5" BSP Backnut	St. Steel	CMP 1979	2
13	Cap Head Screw	St. Steel Grade A2	CMP 1520	6
14	'O' Seal Endplate	EPDM (Included in item 4)	BS882	2
15	'O' Seal Feed Port	EPDM (Included in item 4)	BS225	2
16	'O' Seal Adaptor	EPDM (Included in item 9)	BS832	2
17	'O' Seal Prod/Adaptor	EPDM (Included in item 3)	BS219	2
18	'O' Seal Adaptor	EPDM	To suit membrane	4
19	Strap	St. Steel/PVC	CMP 3426.A	2/3
20	Saddle	Urethane	CMP 3919	2/3
	Adaptor Spacer Shims	ABS (Included in item 9)	CMP 1674	8

The company reserves the right to alter specifications without prior notice.  
This data sheet supersedes all previous issues. **Product Code: 8E400X ISSUE:6**

**DO NOT EXCEED THE MAXIMUM TORQUE.**