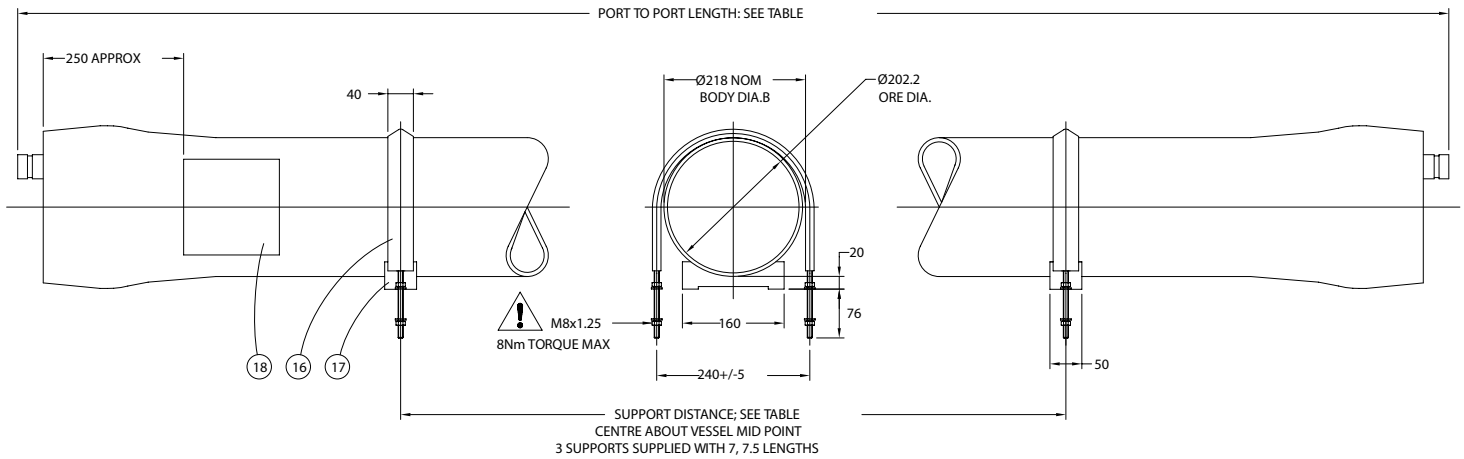




Technical Information Sheet

8" End Port Pressure Vessel 600 psi (41.4 bar)

ORDER REFERENCE
See Box Below



Working Pressure: 600 psi

Working Temperature: 0° to 45° C

Assembly Drawing: 1MNC 3610

Design Code: PED

Body of vessel is manufactured completely from glass reinforced epoxy resins. Pressure vessels can be produced to cover all leading manufacturers membranes regardless of length. Please advise membrane type and length when requesting further details. Please adhere to recommended support positions, if in doubt contact Phoenix Vessel Technology.

Feed and concentrate connections: 1.5" Victaulic.

Product connections: 1.0" BSP Parallel(Female)

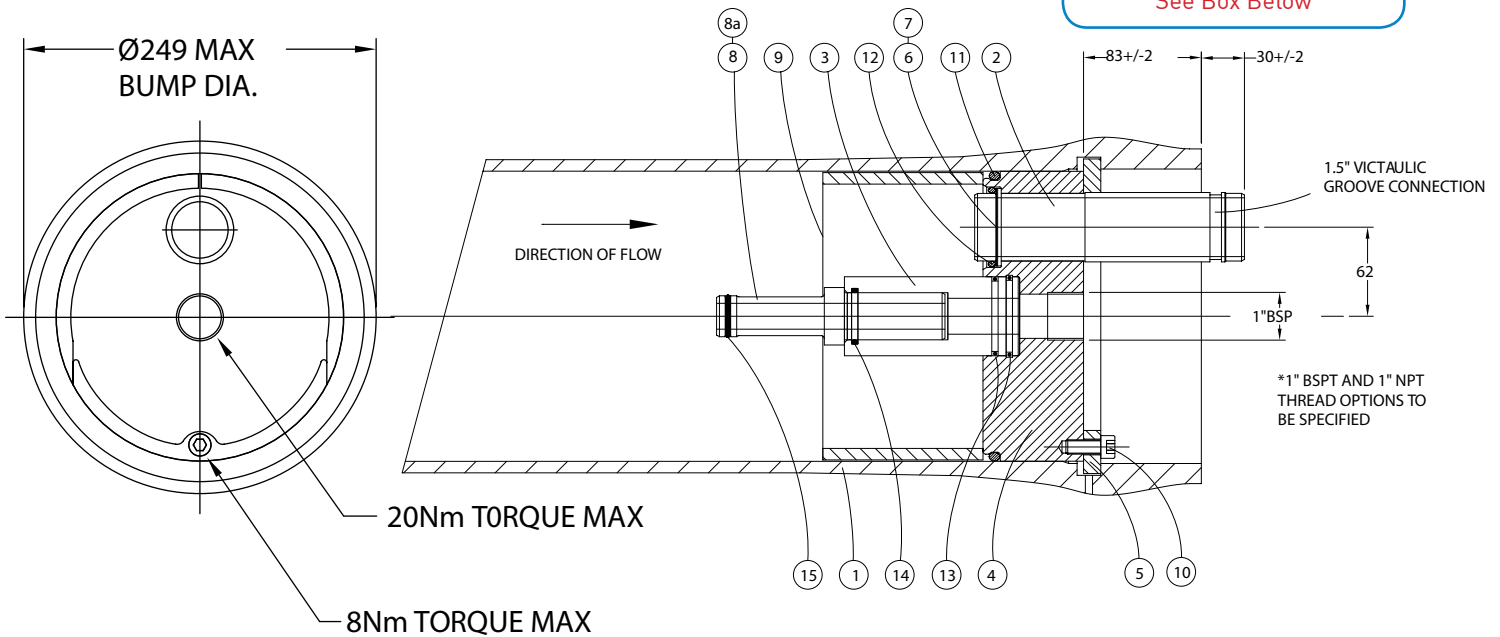
Order Reference	No of 40" Elements	Port to Port Length +/-4mm	2 Supports Max/Min	3 Supports Max/Min	Max Dry Weight
8E600N.1	1	1626	1100-700	-	26 kg
8E600N.1.5	1.5	2134	1400-1000	-	31 kg
8E600N.2	2	2642	1800-1300	-	36 kg
8E600N.3	3	3658	2400-1800	2400-1800	46 kg
8E600N.4	4	4674	2950-2400	3250-2400	56 kg
8E600N.4.5	4.5	5182	3200-2800	3700-2800	61 kg
8E600N.5	5	5690	3450-3150	4150-3150	67 kg
8E600N.6	6	6706	4000-3800	5000-3800	77 kg
8E600N.7	7	7722	-	5850-4850	87 kg
8E600N.7.5	7.5	8230	-	6200-5350	93 kg

All dimensions in mm. c = Central support required.
All dimensions and weights are nominal unless stated otherwise.

This data sheet supersedes all previous issues.
Product Code: 8E600N ISSUE:D

8" End Port Pressure Vessel 600 psi (41.4 bar)

ORDER REFERENCE
See Box Below



Item	Description	Material	Part No.	No.off
1	Vessel Body	Glass Fibre Epoxy Resin	BDY 3658	1
2	Feed/Concentrate Port	St.Steel - 316	CMP 3703.A	2
3	Hub	Thermoplastic	CMP 1550.A	2
4	End Cap	Thermoplastic	CMP 3512.A	2
5	Retaining Ring Segment	Composite	CMP 3915.A	2 set of 3
6	Spiroloc Circlip	St. Steel 302 (included in item 2)	CMP 3062	2
7	Circlip Bearing Washer	St. Steel 304	CMP 3598	2
8	Adaptor	Thermoplastic	To suit membrane	2
8a	Adaptor Spacer Shims	ABS (included in item 9)	CMP 1674	8
9	Thrust Ring	Thermoplastic	CMP 1228	1
10	Cap Head Screw	St. Steel Grade A2	CMP 1520	6
11	'O' Seal End Cap	EPDM (Included in item 5)	BS882	2
12	'O' Seal Feed/End Cap	EPDM (Included in item 2)	BS327	2
13	'O' Seal Hub/End Cap	EPDM (Included in item 3)	BS225	4
14	'O' Seal Prod/Adaptor	EPDM (Included in item 3)	BS219	2
15	'O' Seal Adaptor	EPDM (Included in item 8)	To suit membrane	4
16	Strap	St.Steel/PVC	CMP 3426.A	2/3
17	Saddle	Polypropylene	CMP 3920	2/3

For lubricants and general assembly refer to the **User Guide** on our website.

DO NOT EXCEED THE MAXIMUM TORQUE.

The company reserves the right to alter specifications without prior notice.
This data sheet supersedes all previous issues. Product Code: 8E600N ISSUE: D