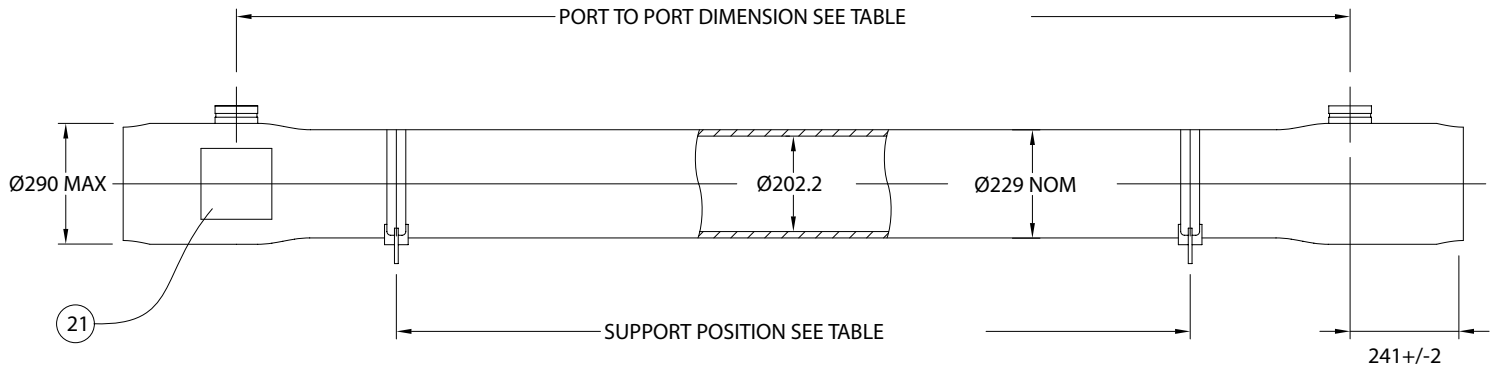




Technical Information Sheet

8" Side Port Pressure Vessel 1000 psi (69.0 bar)

ORDER REFERENCE
See Box Below



Working Pressure: 1000 psi

Working Temperature: -7⁰ to 45⁰ C

Assembly Drawing: 1MNC 3341

Design Code: ASME X

Body of vessel is manufactured completely from glass reinforced epoxy resins. Pressure vessels can be produced to cover all leading manufacturers membranes regardless of length. Please advise membrane type and length when requesting further details. Please adhere to recommended support positions, if in doubt contact Phoenix Vessel Technology.

Feed and concentrate connections: 73mm, 76mm or 3.0"

Product connections: 1.0" BSP (Female).

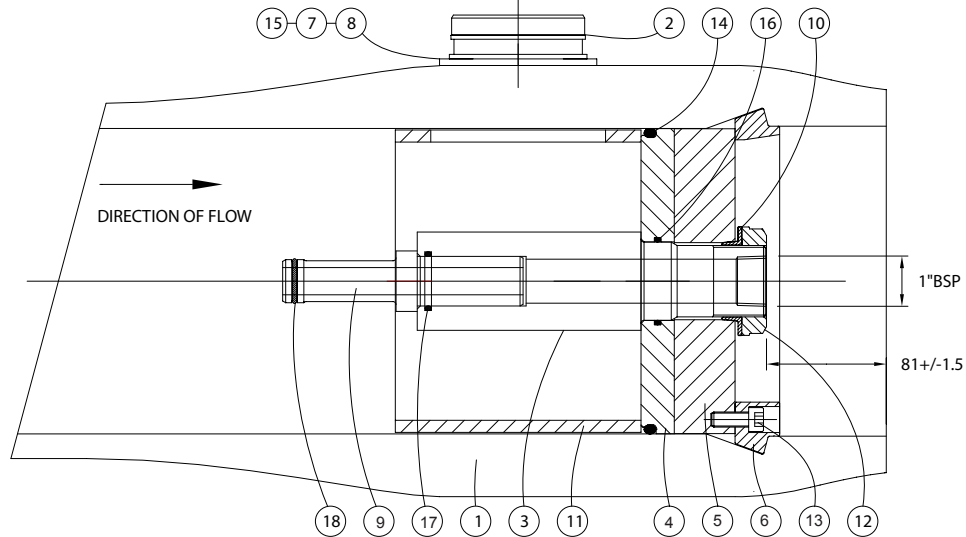
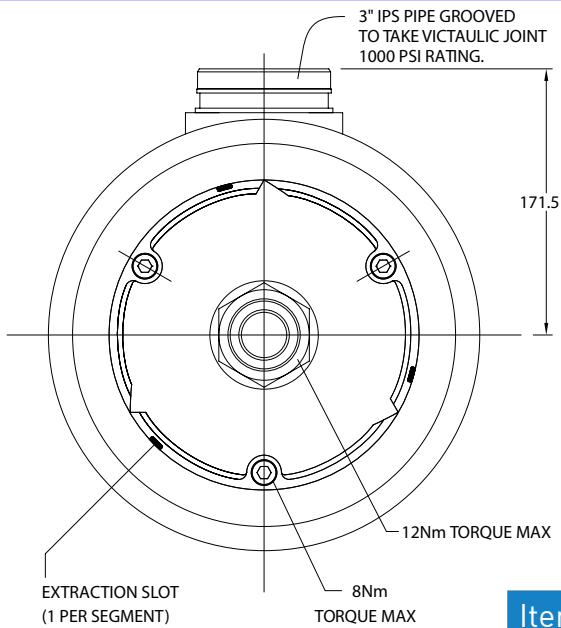
Order Reference	No of 40" Elements	Port to Port Length +/-4mm	Max Support Position	Min Supports Position	Max Dry Weight
8S1000X.1	1	1143	650	500	78 kg
8S1000X.1.5	1.5	1651	1150	500	88 kg
8S1000X.2	2	2159	1650	500	97 kg
8S1000X.3	3	3175	2680c	960c	114 kg
8S1000X.4	4	4191	3190c	1970c	132 kg
8S1000X.4.5	4.5	4699	3375c	2480c	142 kg
8S1000X.5	5	5207	3560c	2990c	150 kg
8S1000X.6	6	6223	4020c	4020c	168 kg
8S1000X.7	7	7239	6170c	5090c	186 kg
8S1000X.7.5	7.5	7747	6220c	5330c	195 kg

All dimensions in mm. c = Central support required.
All dimensions and weights are nominal unless stated otherwise.

This data sheet supersedes all previous issues.
Product Code: 8S1000X ISSUE:B

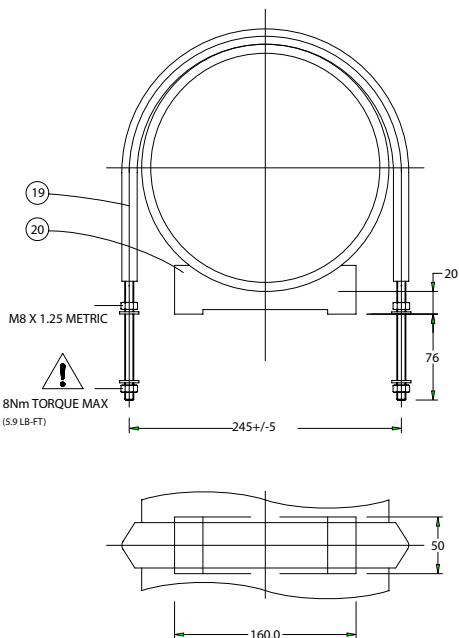
8" Side Port Pressure Vessel 1000 psi (69.0 bar)

ORDER REFERENCE
See Box Below



SIDE PORT OPTIONS	SIZE	STYLE
	73mm	1) 2 Same side - 0°, 0°
	76mm	2) 2 Opposing - 0°, 180°
	3.0"	3) 3 port - 0°, 180°
		4) 4 port - 0°, 180°

Item	Description	Material	Part No.	No.off
1	Vessel Body	Glass Fibre Epoxy Resin	BDY 3478	1
2	Feed/Concentrate Port	St. Steel 316L	CMP 3931.A - 73mm CMP 3927.A - 3.0"	2/3/4
3	Hub	Thermoplastic	CMP 3362.A	2
4	End Cap	Thermoplastic	CMP 1954.A	2
5	Backing Plate	Anodised Aluminium	CMP 2302	2
6	Retaining Ring Segment	St. Steel 316	CMP 1470	2 sets of 3
7	Port Retaining Clip	Thermoplastic	CMP 3561 - 73mm CMP 3444 - 2.0"	2/3/4
8	Port Clamp	St. Steel 316	CMP 3817 - 73mm CMP 3805 - 3.0"	2/3/4
9	Adaptor	Thermoplastic	To suit membrane	2
10	Anti-rotation Collet	Thermoplastic	CMP 1894	2
11	Thrust Ring	Thermoplastic	CMP 3443.A	1
12	1.5" BSP Backnut	St. Steel	CMP 1979	2
13	Cap Head Screw	St. Steel Grade A2	CMP 1520	6
14	'O' Seal Endplate	EPDM (Included in item 4)	BS882	2
15	'O' Seal Feed/Conc	EPDM (Included in item 2)	BS188 - 73mm BS204-205 - 3.0"	2/3/4
16	'O' Seal Hub/Endcap	EPDM (Included in item 4)	BS832	2
17	'O' Seal Prod/Adaptor	EPDM (Included in item 3)	BS219	2
18	'O' Seal Adaptor	EPDM (Included in item 9)	To suit membrane	4
19	Strap	St.Steel/PVC	CMP 3426.A	2/3
20	Saddle	Polypropylene	CMP 3920	2/3
	Adaptor Spacer Shims	ABS (included in item 9)	CMP 1674	8



For lubricants and general assembly refer to the **User Guide** on our website.

DO NOT EXCEED THE MAXIMUM TORQUE.

The company reserves the right to alter specifications without prior notice.
This data sheet supersedes all previous issues. Product Code: 8S100X ISSUE:B