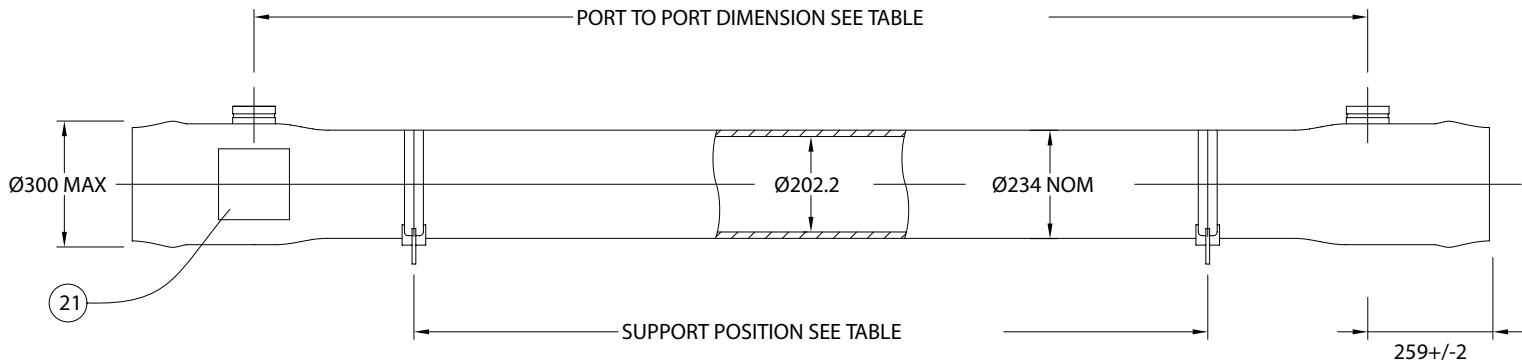




Technical Information Sheet

8" Side Port Pressure Vessel 1200 psi (83.0 bar)

ORDER REFERENCE
See Box Below



Working Pressure: 1200 psi

Working Temperature: -7^o to 45^o C

Assembly Drawing: 1MNC 3333

Design Code: ASME X

Body of vessel is manufactured completely from glass reinforced epoxy resins. Pressure vessels can be produced to cover all leading manufacturers membranes regardless of length.

Please advise membrane type and length when requesting further details. Please adhere to recommended support positions, if in doubt contact Phoenix Vessel Technology.

Feed and concentrate connections: 3.0" Victaulic.

Product connections: 1.0" BSP (Female).

Order Reference	No of 40" Elements	Port to Port Length +/-4mm	Max Support Position	Min Supports Position	Max Dry Weight
8S1200X.1	1	1194	650	500	84 kg
8S1200X.1.5	1.5	1702	1150	500	95 kg
8S1200X.2	2	2210	1650	500	106 kg
8S1200X.3	3	3226	2680c	960c	127 kg
8S1200X.4	4	4242	3190c	1970c	149 kg
8S1200X.4.5	4.5	4750	3375c	2480c	160 kg
8S1200X.5	5	5258	3560c	2990c	170 kg
8S1200X.6	6	6274	4020c	4020c	192 kg
8S1200X.7	7	7290	6170c	5090c	213 kg
8S1200X.7.5	7.5	7798	6220c	5330c	224 kg

All dimensions in mm. c = Central support required.
All dimensions and weights are nominal unless stated otherwise.

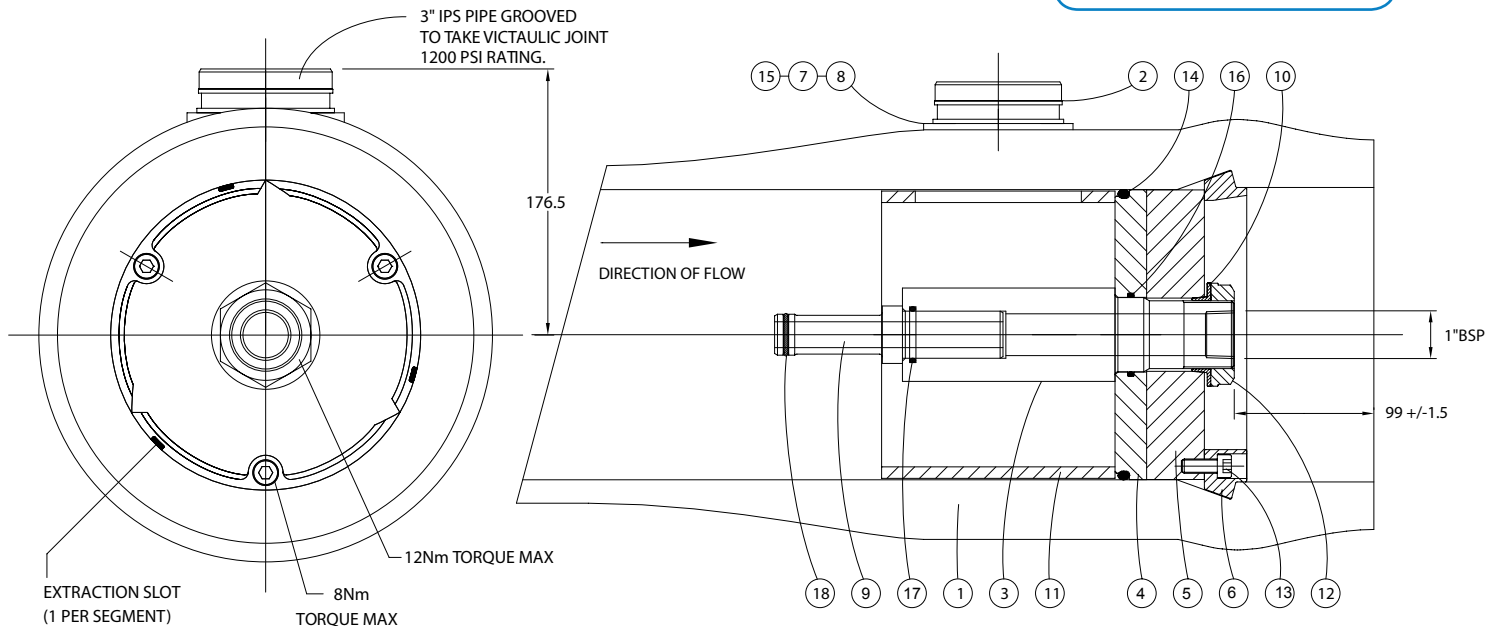
This data sheet supersedes all previous issues.
Product Code: 8S1200X ISSUE:D



Technical Information Sheet

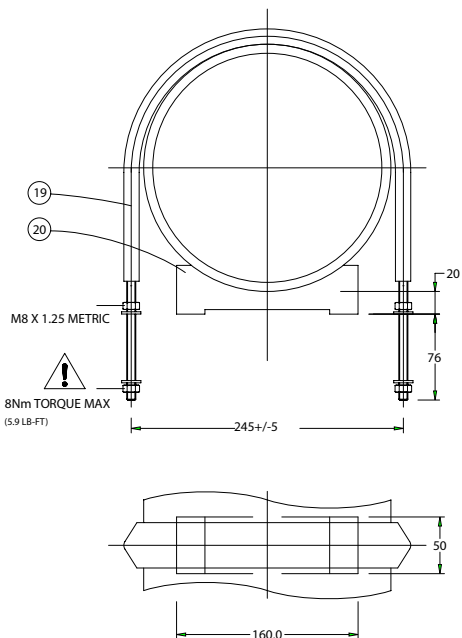
8" Side Port Pressure Vessel 1200 psi (83.0 bar)

ORDER REFERENCE
See Box Below



SIDE PORT OPTIONS	SIZE	STYLE
	3.0"	1) 2 Same side - 0°, 0° 2) 2 Opposing - 0°, 180° 3) 3 port - 0°, 180° 4) 4 port - 0°, 180°

Item	Description	Material	Part No.	No.off
1	Vessel Body	Glass Fibre Epoxy Resin	BDY 3470	1
2	Feed/Concentrate Port	St. Steel 316L	CMP 3295.A - 3.0"	2/3/4
3	Hub	Thermoplastic	CMP 3362.A	2
4	End Cap	Thermoplastic	CMP 1954.A	2
5	Backing Plate	Anodised Aluminium	CMP 2302	2
6	Retaining Ring Segment	St. Steel 316	CMP 1470	2 sets of 3
7	Port Retaining Clip	Thermoplastic	CMP 3444	2/3/4
8	Port Clamp	St. Steel 302	CMP 3805	2/3/4
9	Adaptor	Thermoplastic	To suit membrane	2
10	Anti-rotation Collet	Thermoplastic	CMP 1894	2
11	Thrust Ring	Thermoplastic	CMP 3443.A	1
12	1.5" BSP Backnut	St. Steel	CMP 1979	2
13	Cap Head Screw	St. Steel Grade A2	CMP 1520	6
14	'O' Seal Endplate	EPDM (Included in item 4)	BS882	2
15	'O' Seal Feed/Conc	EPDM (Included in item 2)	BS346	2/3/4
16	'O' Seal Hub/Endcap	EPDM (Included in item 4)	BS832	2
17	'O' Seal Prod/Adaptor	EPDM (Included in item 3)	BS219	2
18	'O' Seal Adaptor	EPDM (Included in item 9)	To suit membrane	4
19	Strap	St.Steel/PVC	CMP 3426.A	2/3
20	Saddle	Polypropylene	CMP 3921	2/3
	Adaptor Spacer Shims	ABS (included in item 9)	CMP 1674	8



For lubricants and general assembly refer to the **User Guide** on our website.

DO NOT EXCEED THE MAXIMUM TORQUE.

The company reserves the right to alter specifications without prior notice. This data sheet supersedes all previous issues. Product Code: 8S1200X ISSUE: D

