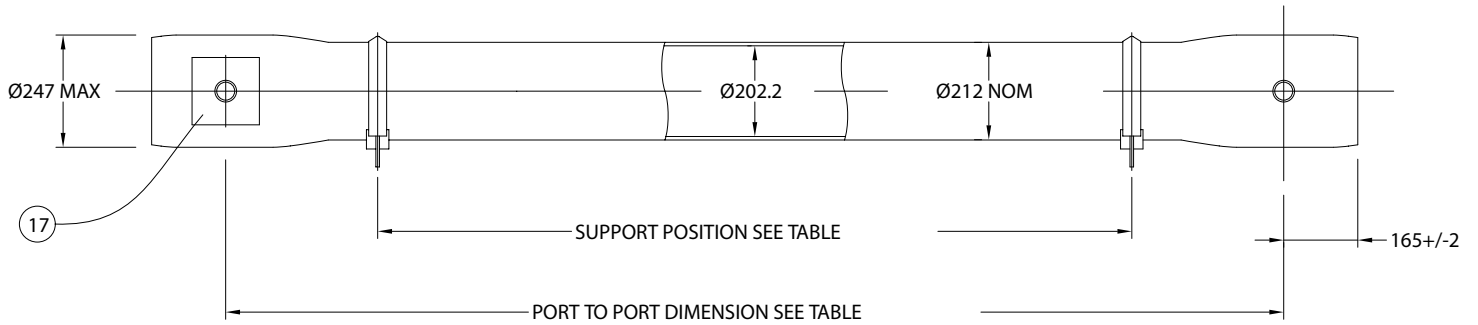




# Technical Information Sheet

## 8" Side Port Pressure Vessel 300 psi (20.7 bar)

**ORDER REFERENCE**  
See Box Below



**Working Pressure:** 300 psi

**Working Temperature:** 0° to 45° C

**Assembly Drawing:** 1MNC 1908

**Design Code:** PED

Body of vessel is manufactured completely from glass reinforced epoxy resins. Pressure vessels can be produced to cover all leading manufacturers membranes regardless of length. Please advise membrane type and length when requesting further details. Please adhere to recommended support positions, if in doubt contact Phoenix Vessel Technology.

**Feed and concentrate connections:** 1.5" or 2.0" Victaulic.

**Product connections:** 1.0" BSP (Female)

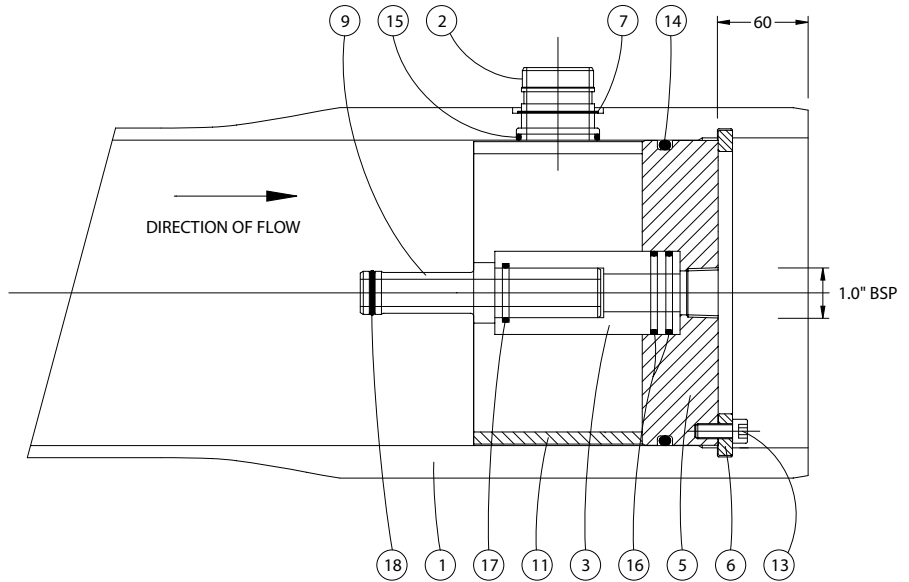
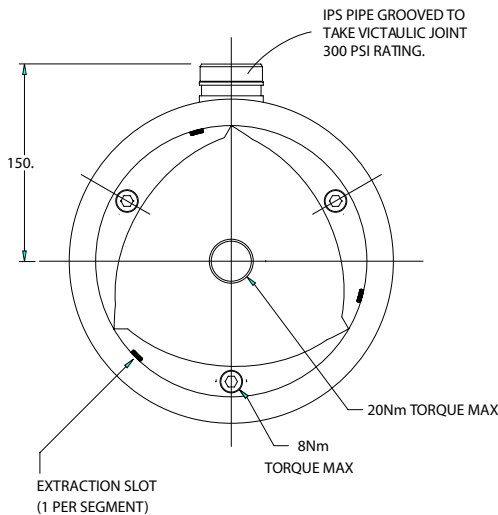
Order Reference	No of 40" Elements	Port to Port Length +/-4mm	Max Support Position	Min Supports Position	Max Dry Weight
8S300N.1	1	1143	740	500	43 kg
8S300N.1.5	1.5	1651	1250	500	48 kg
8S300N.2	2	2159	1750	500	53 kg
8S300N.3	3	3175	2775c	960c	64 kg
8S300N.4	4	4191	3190c	1970c	75 kg
8S300N.4.5	4.5	4699	3375c	2480c	81 kg
8S300N.5	5	5207	3560c	2990c	86 kg
8S300N.6	6	6223	4020c	4020c	98 kg
8S300N.7	7	7239	6170c	5090c	109 kg
8S300N.7.5	7.5	7747	6220c	5330c	115 kg

All dimensions in mm. c = Central support required.  
All dimensions and weights are nominal unless stated otherwise.

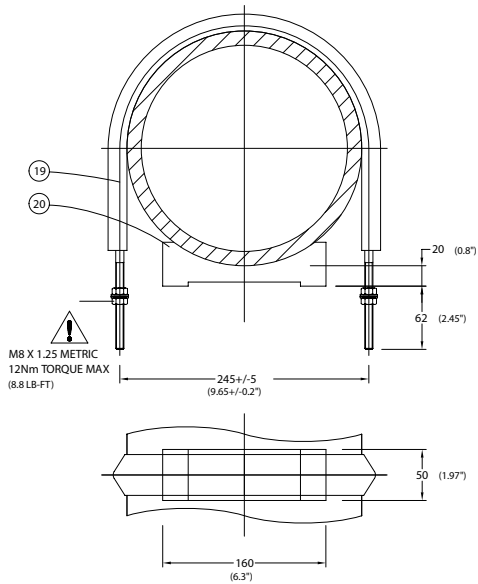
This data sheet supersedes all previous issues.  
Product Code: 8S300N ISSUE:G

## 8" Side Port Pressure Vessel 300 psi (20.7 bar)

**ORDER REFERENCE**  
See Box Below



SIDE PORT OPTIONS	SIZE	STYLE
	1.5"	1) 2 Same side - 0°, 0°
	2.0"	2) 2 Opposing - 0°, 180°
		3) 3 port - 0°, 180°
		4) 4 port - 0°, 180°



For lubricants and general assembly refer to the **User Guide** on our website.

Item	Description	Material	Part No.	No.off
1	Vessel Body	Glass Fibre Epoxy Resin	BDY 3138	1
2	Feed/Concentrate Port	St. Steel 316L 1.5" Port St. Steel 316L 2.0" Port	CMP 3298.A CMP 3291.A	2/3/4
3	Hub	Thermoplastic	CMP 1550.A	2
5	End Cap	Thermoplastic	CMP 1958.A	2
6	Retaining Ring Segment	Composite	CMP 2526	2 sets of 3
7	Spiroloc Circlip	St. Steel 302 1.5" Port (Included in item 2)	CMP 1950 - 1.5" CMP 2029 - 2.0"	2/3/4
9	Adaptor	Thermoplastic	To suit membrane	2
11	Thrust Ring	Thermoplastic	CMP 3069.A	1
13	Cap Head Screw	St. Steel Grade A2	CMP 1520	6
14	'O' Seal Endplate	EPDM (Included in item 5)	BS882	2
15	'O' Seal Feed Port	EPDM (Included in item 2)	BS227 - 1.5" BS232 - 2.0"	2/3/4
16	'O' Seal Hub/Endplate	EPDM (Included in item 3)	BS225	2
17	'O' Seal Prod/Adaptor	EPDM (Included in item 3)	BS219	2
18	'O' Seal Adaptor	EPDM (Included in item 9)	To suit membrane	4
19	Strap	St.Steel/PVC	CMP 3426.A	2/3
20	Saddle	Polypropylene	CMP 3919	2/3
	Adaptor Spacer Shims	ABS (included in item 9)	CMP 1674	8

**DO NOT EXCEED THE MAXIMUM TORQUE.**

The company reserves the right to alter specifications without prior notice.  
This data sheet supersedes all previous issues. Product Code: 8S300N ISSUE:6