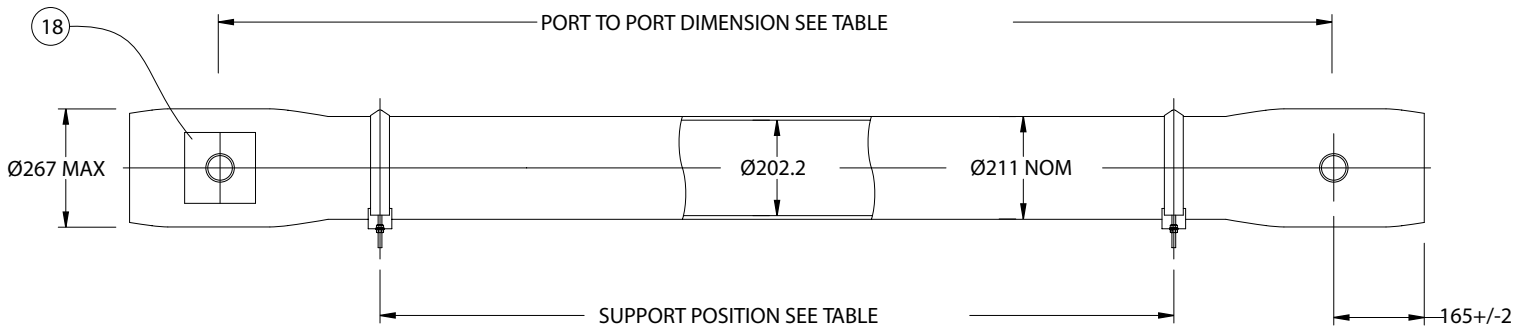




Technical Information Sheet

8" Side Port Pressure Vessel 300 psi (20.7 bar)

ORDER REFERENCE
See Box Below



Working Pressure: 300 psi

Working Temperature: 0° to 45° C

Assembly Drawing: 1MNC 3342

Design Code: PED

Body of vessel is manufactured completely from glass reinforced epoxy resins. Pressure vessels can be produced to cover all leading manufacturers membranes regardless of length. Please advise membrane type and length when requesting further details. Please adhere to recommended support positions, if in doubt contact Phoenix Vessel Technology.

Feed and concentrate connections: 73mm or 76mm Victaulic.

Product connections: 1.0" BSP (Female)

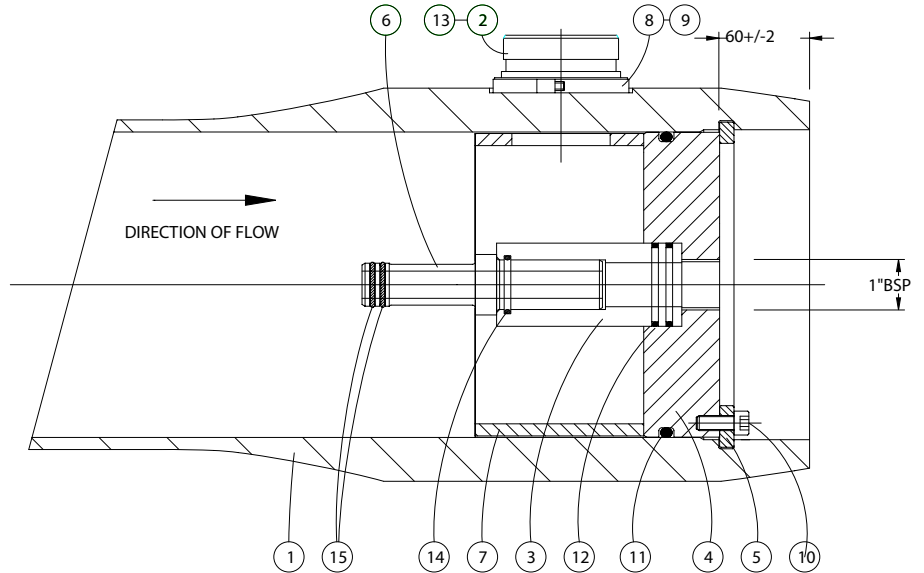
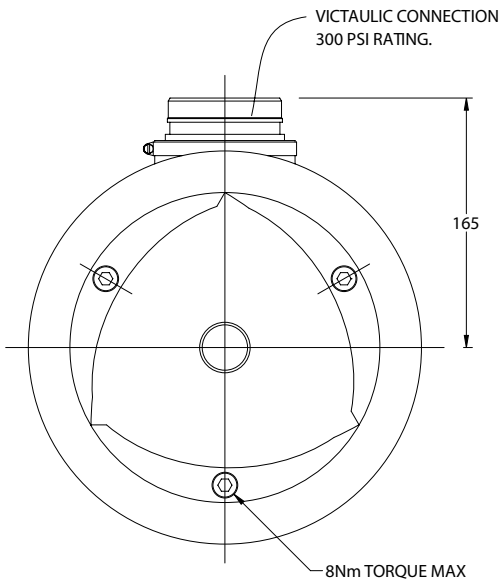
Order Reference	No of 40" Elements	Port to Port Length +/-4mm	Max Support Position	Min Supports Position	Max Dry Weight
8S300N.1	1	1143	740	500	46 kg
8S300N.1.5	1.5	1651	1250	500	51 kg
8S300N.2	2	2159	1750	500	56 kg
8S300N.3	3	3175	2775c	960c	67 kg
8S300N.4	4	4191	3190c	1970c	78 kg
8S300N.4.5	4.5	4699	3375c	2480c	84 kg
8S300N.5	5	5207	3560c	2990c	89 kg
8S300N.6	6	6223	4020c	4020c	101 kg
8S300N.7	7	7239	6170c	5090c	112 kg
8S300N.7.5	7.5	7747	6220c	5330c	118 kg

All dimensions in mm. c = Central support required.
All dimensions and weights are nominal unless stated otherwise.

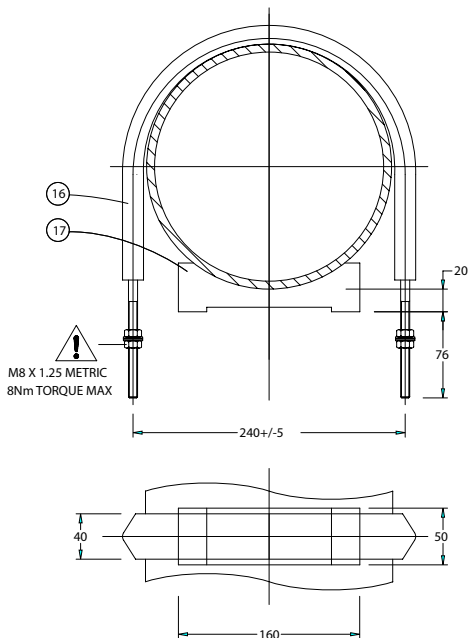
This data sheet supersedes all previous issues.
Product Code: 8S300N ISSUE:F

8" Side Port Pressure Vessel 300 psi (20.7 bar)

ORDER REFERENCE
See Box Below



SIDE PORT OPTIONS	SIZE	STYLE
	73mm	1) 2 Same side - 0°, 0°
	76mm	2) 2 Opposing - 0°, 180°
		3) 3 port - 0°, 180°
		4) 4 port - 0°, 180°



For lubricants and general assembly refer to the **User Guide** on our website.

Item	Description	Material	Part No.	No.off
1	Vessel Body	Glass Fibre Epoxy Resin	BDY 3484	1
2	Feed/Concentrate Port	St. Steel 316L 73mm Port St. Steel 316L 76mm Port	CMP 3290.A CMP 3289.A	2/3/4
3	Hub	Thermoplastic	CMP 1550.A	2
4	End Cap	Thermoplastic	CMP 1958.A	2
5	Retaining Ring Segment	Composite	CMP 2526	2 sets of 3
6	Adaptor	Thermoplastic	To suit membrane	2
7	Thrust Ring	Thermoplastic	CMP 3069.A	1
8	Port Retaining Clip	Thermoplastic (Included in item 2)	CMP 3561	2/3/4
9	Port Clamp	St. Steel 302 (Included in item 2)	CMP 3572	2/3/4
10	Cap Head Screw	St. Steel Grade A2	CMP 1520	6
11	'O' Seal Endplate	EPDM (Included in item 4)	BS882	2
12	'O' Seal Hub/Endplate	EPDM (Included in item 3)	BS225	2
13	'O' Seal Feed Port	EPDM (Included in item 2)	BS188	2/3/4
14	'O' Seal Prod/Adaptor	EPDM (Included in item 3)	BS219	2
15	'O' Seal Adaptor	EPDM (Included in item 6)	To suit membrane	4
16	Strap	St.Steel/PVC	CMP 3426.A	2/3
17	Saddle	Polypropylene	CMP 3919	2/3
	Adaptor Spacer Shims	ABS (included in item 6)	CMP 1674	8

DO NOT EXCEED THE MAXIMUM TORQUE.

The company reserves the right to alter specifications without prior notice.
This data sheet supersedes all previous issues. Product Code: 8S300N ISSUE:F