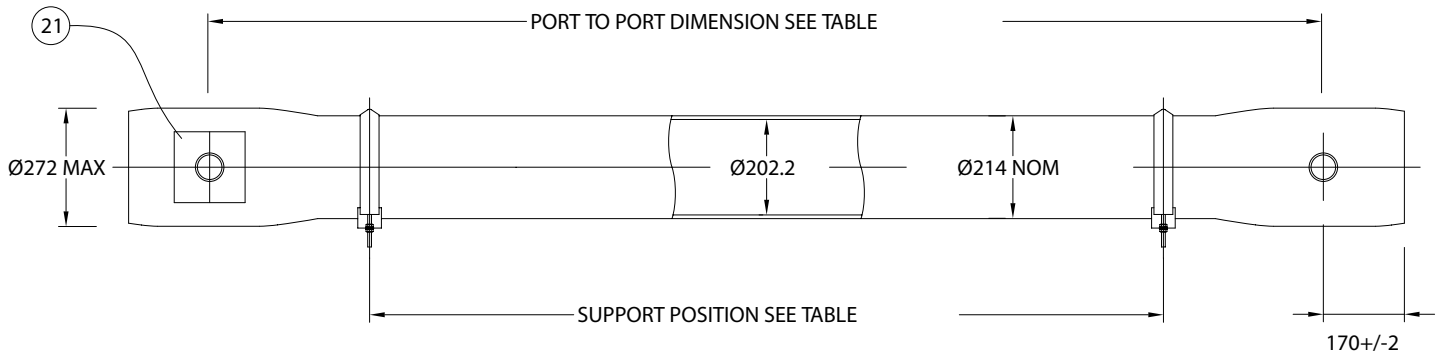




# Technical Information Sheet

## 8" Side Port Pressure Vessel 400 psi (27.6 bar)

**ORDER REFERENCE**  
See Box Below



**Working Pressure:** 400 psi

**Working Temperature:** -7<sup>o</sup> to 45<sup>o</sup> C

**Assembly Drawing:** 1MNC 3602

**Design Code:** ASME X

Body of vessel is manufactured completely from glass reinforced epoxy resins. Pressure vessels can be produced to cover all leading manufacturers membranes regardless of length.

Please advise membrane type and length when requesting further details. Please adhere to recommended support positions, if in doubt contact Phoenix Vessel Technology.

**Feed and concentrate connections:** 3.0" Victaulic.

**Product connections:** 1.0" BSP (Female)

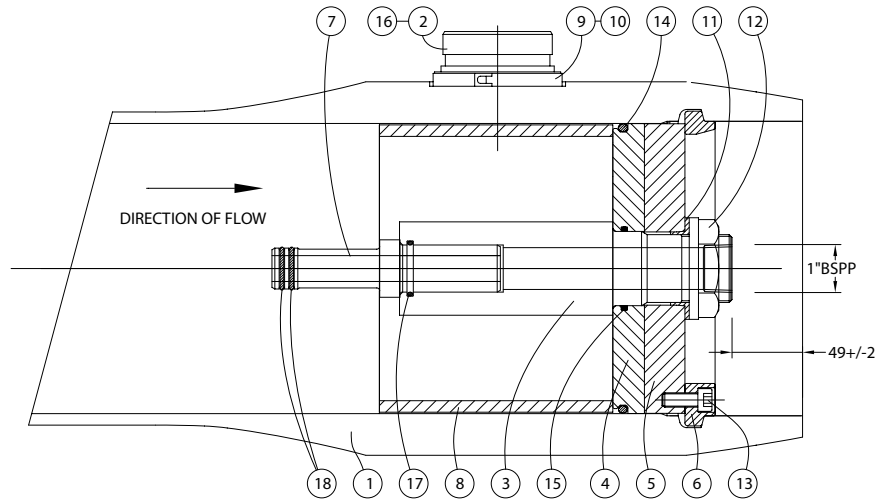
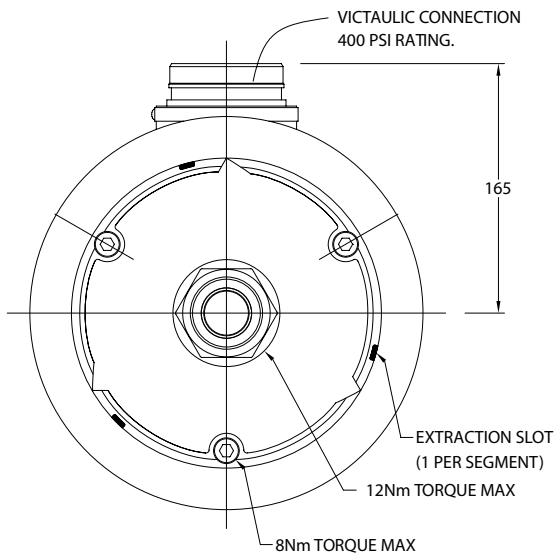
Order Reference	No of 40" Elements	Port to Port Length +/-4mm	Max Support Position	Min Supports Position	Max Dry Weight
8S400X.1	1	1194	740	500	49 kg
8S400X.1.5	1.5	1702	1250	500	54 kg
8S400X.2	2	2210	1750	500	59 kg
8S400X.3	3	3226	2775c	960c	70 kg
8S400X.4	4	4242	3190c	1970c	81 kg
8S400X.4.5	4.5	4750	3375c	2480c	87 kg
8S400X.5	5	5258	3560c	2990c	92 kg
8S400X.6	6	6274	4020c	4020c	104 kg
8S400X.7	7	7290	6170c	5090c	115 kg
8S400X.7.5	7.5	7798	6220c	5330c	121 kg

All dimensions in mm. c = Central support required.  
All dimensions and weights are nominal unless stated otherwise.

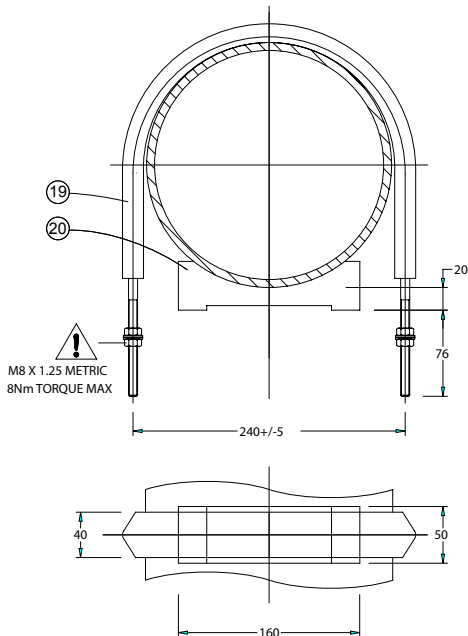
This data sheet supersedes all previous issues.  
Product Code: 8S400X ISSUE:A

## 8" Side Port Pressure Vessel 400 psi (27.6 bar)

**ORDER REFERENCE**  
See Box Below



SIDE PORT OPTIONS	SIZE	STYLE
	3.0"	1) 2 Same side - 0°, 0° 2) 2 Opposing - 0°, 180° 3) 3 port - 0°, 180° 4) 4 port - 0°, 180°



Item	Description	Material	Part No.	No.off
1	Vessel Body	Glass Fibre Epoxy Resin	BDY 3983	1
2	Feed/Concentrate Port	St. Steel 316L	CMP 3288.A - 3.0"	2/3/4
3	Hub	Thermoplastic	CMP 3366.A	2
4	End Plate	Thermoplastic	CMP 1954.A	2
5	Backing Plate	Anodised Aluminium	CMP 1948	2
6	Retaining Ring Segment	St. Steel 316	CMP 1469	2 sets of 3
7	Adaptor	Thermoplastic	To suit membrane	2
8	Thrust Ring	Thermoplastic	CMP 3443.A	1
9	Port Retaining Clip	Thermoplastic	CMP 3444 - 3.0"	2/3/4
10	Port Clamp	St. Steel 302	CMP 3573 - 3.0"	2/3/4
11	Anti-rotation Collet	Thermoplastic	CMP 1894	2
12	1.5" BSP Backnut	St. Steel	CMP 1979	2
13	Cap Head Screw	St. Steel Grade A4	CMP 1520	6
14	'O' Seal Endplate	EPDM (Included in item 4)	BS442	2
15	'O' Seal Hub/Endplate	EPDM (Included in item 3)	BS832	2
16	'O' Seal Feed Port	EPDM (Included in item 2)	BS204-200 - 3.0"	2/3/4
17	'O' Seal Prod/Adaptor	EPDM (Included in item 3)	BS219	2
18	'O' Seal Adaptor	EPDM (Included in item 7)	To suit membrane	4
19	Strap	St.Steel/PVC	CMP 3426.A	2/3
20	Saddle	Polypropylene	CMP 3919	2/3
	Adaptor Spacer Shims	ABS (included in item 7)	CMP 1674	8

For lubricants and general assembly refer to the **User Guide** on our website.

**DO NOT EXCEED THE MAXIMUM TORQUE.**

The company reserves the right to alter specifications without prior notice.  
This data sheet supersedes all previous issues. Product Code: 8S400X ISSUE:A