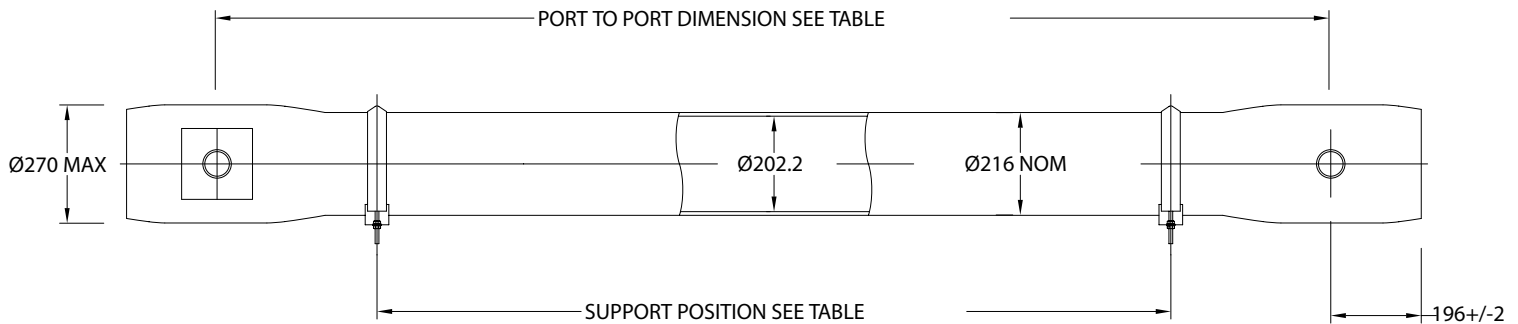




Technical Information Sheet

8" Side Port Pressure Vessel 450 psi (31.05 bar)

ORDER REFERENCE
See Box Below



Working Pressure: 450 psi

Working Temperature: 0° to 45° C

Assembly Drawing: 1MNC 3603

Design Code: PED

Body of vessel is manufactured completely from glass reinforced epoxy resins. Pressure vessels can be produced to cover all leading manufacturers membranes regardless of length.

Please advise membrane type and length when requesting further details. Please adhere to recommended support positions, if in doubt contact Phoenix Vessel Technology.

Feed and concentrate connections: 3.0" Victaulic.

Product connections: 1.0" BSP (Female)

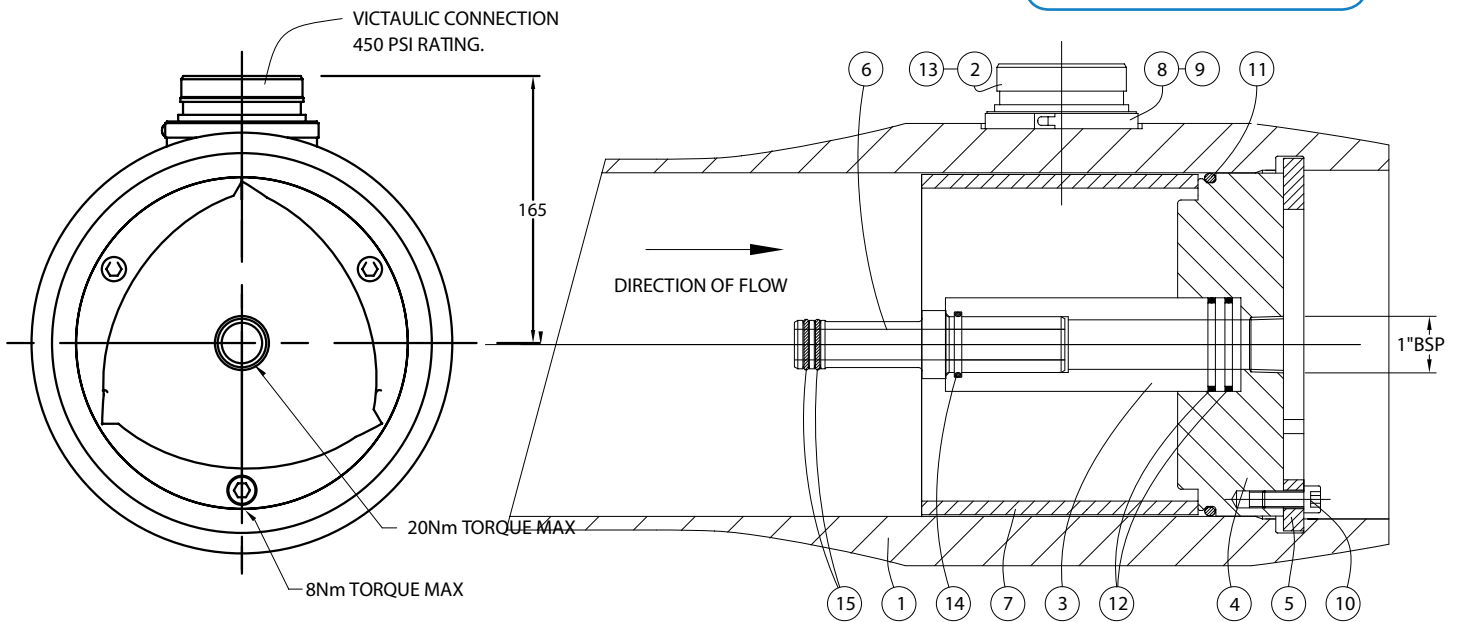
Order Reference	No of 40" Elements	Port to Port Length +/-4mm	Max Support Position	Min Supports Position	Max Dry Weight
8S450N.1	1	1194	740	500	56 kg
8S450N.1.5	1.5	1702	1250	500	63 kg
8S450N.2	2	2210	1750	500	70 kg
8S450N.3	3	3226	2775c	960c	85 kg
8S450N.4	4	4242	3190c	1970c	100 kg
8S450N.4.5	4.5	4750	3375c	2480c	107 kg
8S450N.5	5	5258	3560c	2990c	114 kg
8S450N.6	6	6274	4020c	4020c	129 kg
8S450N.7	7	7290	6170c	5090c	144 kg
8S450N.7.5	7.5	7798	6220c	5330c	151 kg

All dimensions in mm. c = Central support required.
All dimensions and weights are nominal unless stated otherwise.

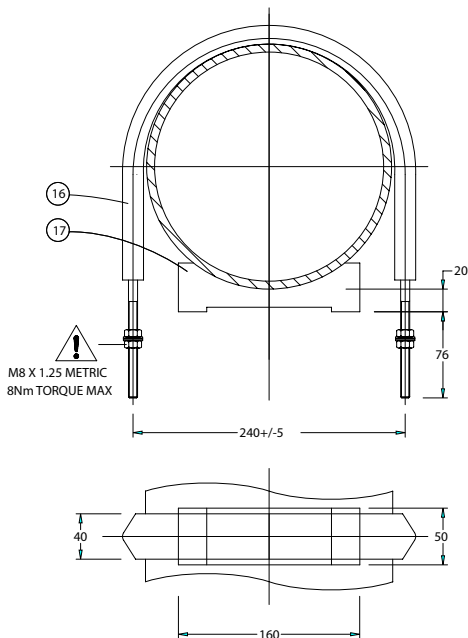
This data sheet supersedes all previous issues.
Product Code: 8S450N ISSUE:F

8" Side Port Pressure Vessel 450 psi (31.05 bar)

ORDER REFERENCE
See Box Below



SIDE PORT OPTIONS	SIZE	STYLE
	3.0"	1) 2 Same side - 0°, 0° 2) 2 Opposing - 0°, 180° 3) 3 port - 0°, 180° 4) 4 port - 0°, 180°



For lubricants and general assembly refer to the **User Guide** on our website.

Item	Description	Material	Part No.	No.off
1	Vessel Body	Glass Fibre Epoxy Resin	BDY 3495	1
2	Feed/Concentrate Port	St. Steel 316L 3.0" Port	CMP 3288.A - 3.0"	2/3/4
3	Hub	Thermoplastic	CMP 3235.A	2
4	End Cap	Thermoplastic	CMP 2893.A	2
5	Retaining Ring Segment	Composite	CMP 3914.A	2 sets of 3
6	Adaptor	Thermoplastic	To suit membrane	2
7	Thrust Ring	Thermoplastic	CMP 3443.A	1
8	Port Retaining Clip	Thermoplastic (included in item 2)	CMP 3444	2/3/4
9	Port Clamp	St. Steel 302 (included in item 2)	CMP 3573	2/3/4
10	Cap Head Screw	St. Steel Grade A2	CMP 1520	2
11	'O' Seal Endplate	EPDM (Included in item 4)	BS882	2
12	'O' Seal Hub/Endcap	EPDM (Included in item 3)	BS225	4
13	'O' Seal Feed/Conc	EPDM (Included in item 2)	BS204-202	2/3/4
14	'O' Seal Prod/Adaptor	EPDM (Included in item 3)	BS219	2
15	'O' Seal Adaptor	EPDM (Included in item 6)	To suit membrane	4
16	Strap	St.Steel/PVC	CMP 3426.A	2/3
17	Saddle	Polypropylene	CMP 3919	2/3
	Adaptor Spacer Shims	ABS (included in item 6)	CMP 1674	8

DO NOT EXCEED THE MAXIMUM TORQUE.

The company reserves the right to alter specifications without prior notice.
This data sheet supersedes all previous issues. Product Code: 8S450N ISSUE:F