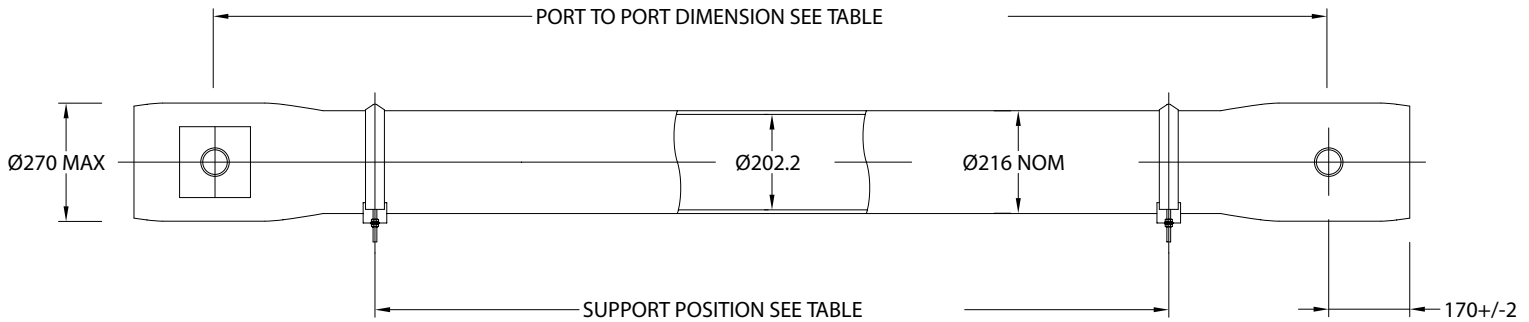




Technical Information Sheet

8" Side Port Pressure Vessel 450 psi (31.05 bar)

ORDER REFERENCE
See Box Below



Working Pressure: 450 psi

Working Temperature: 0° to 45° C

Assembly Drawing: 1MNC 3605

Design Code: PED

Body of vessel is manufactured completely from glass reinforced epoxy resins. Pressure vessels can be produced to cover all leading manufacturers membranes regardless of length. Please advise membrane type and length when requesting further details. Please adhere to recommended support positions, if in doubt contact Phoenix Vessel Technology.

Feed and concentrate connections: 73mm or 76mm Victaulic.

Product connections: 1.0" BSP (Female)

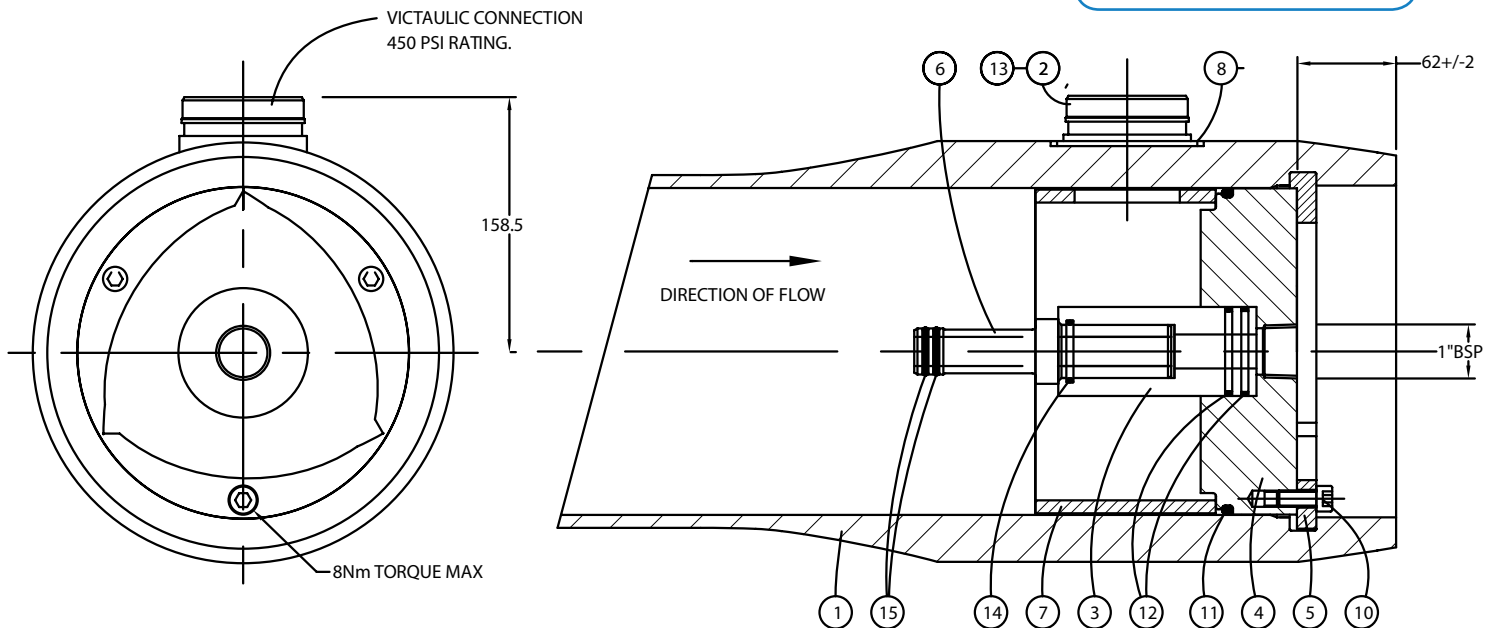
Order Reference	No of 40" Elements	Port to Port Length +/-4mm	Max Support Position	Min Supports Position	Max Dry Weight
8S450N.1	1	1143	740	500	49 kg
8S450N.1.5	1.5	1651	1250	500	54 kg
8S450N.2	2	2159	1750	500	59 kg
8S450N.3	3	3175	2775c	960c	70 kg
8S450N.4	4	4191	3190c	1970c	81 kg
8S450N.4.5	4.5	4699	3375c	2480c	87 kg
8S450N.5	5	5207	3560c	2990c	92 kg
8S450N.6	6	6223	4020c	4020c	104 kg
8S450N.7	7	7239	6170c	5090c	115 kg
8S450N.7.5	7.5	7747	6220c	5330c	121 kg

All dimensions in mm. c = Central support required.
All dimensions and weights are nominal unless stated otherwise.

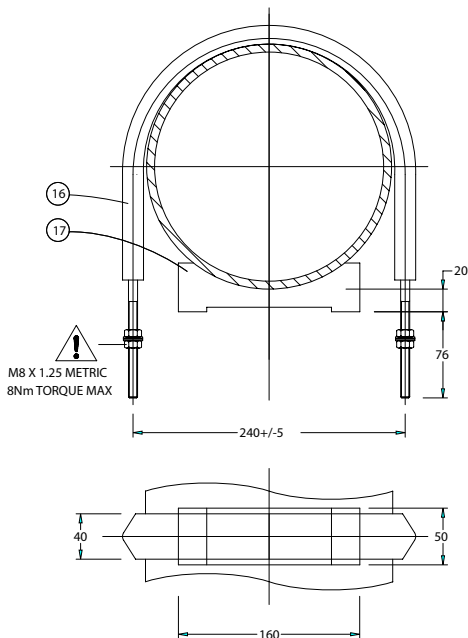
This data sheet supersedes all previous issues.
Product Code: 8S450N ISSUE:D

8" Side Port Pressure Vessel 450 psi (31.05 bar)

ORDER REFERENCE
See Box Below



SIDE PORT OPTIONS	SIZE	STYLE
	73mm 76mm	



For lubricants and general assembly refer to the **User Guide** on our website.

Item	Description	Material	Part No.	No.off
1	Vessel Body	Glass Fibre Epoxy Resin	BDY 3498	1
2	Feed/Concentrate Port	St. Steel 316L	CMP 4081 - 73mm CMP 4082 - 76mm	2/3/4
3	Hub	Thermoplastic	CMP 1550.A	2
4	End Cap	Thermoplastic	CMP 2893.A	2
5	Retaining Ring Segment	Composite	CMP 2528.A	2 sets of 3
6	Adaptor	Thermoplastic	To suit membrane	2
7	Thrust Ring	Thermoplastic	CMP 3069.A	1
8	Circlip	St. Steel	CMP 4079	2/3/4
10	Cap Head Screw	St. Steel Grade A2	CMP 1520	2
11	'O' Seal Endplate	EPDM (Included in item 4)	BS882	2
12	'O' Seal Hub/Endcap	EPDM (Included in item 3)	BS225	4
13	'O' Seal Feed/Conc	EPDM (Included in item 2)	BS204-188	2/3/4
14	'O' Seal Prod/Adaptor	EPDM (Included in item 3)	BS219	2
15	'O' Seal Adaptor	EPDM (Included in item 6)	To suit membrane	4
16	Strap	St.Steel/PVC	CMP 3426.A	2/3
17	Saddle	Polypropylene	CMP 3919	2/3
	Adaptor Spacer Shims	ABS (included in item 6)	CMP 1674	8

DO NOT EXCEED THE MAXIMUM TORQUE.

The company reserves the right to alter specifications without prior notice.
This data sheet supersedes all previous issues. Product Code: 8S450N ISSUE: D