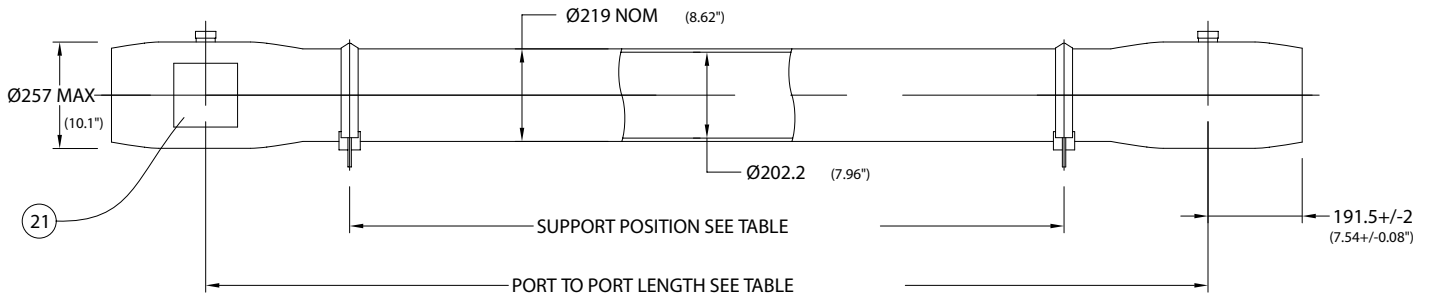




Technical Information Sheet

8" Side Port Pressure Vessel 600 psi (41.4 bar)

ORDER REFERENCE
See Box Below



Working Pressure: 600 psi

Working Temperature: -7^o to 45^o C

Assembly Drawing: 1MNC 2059

Design Code: ASME X

Body of vessel is manufactured completely from glass reinforced epoxy resins. Pressure vessels can be produced to cover all leading manufacturers membranes regardless of length.

Please advise membrane type and length when requesting further details. Please adhere to recommended support positions, if in doubt contact Phoenix Vessel Technology.

Feed and concentrate connections: 1.5" or 2.0" Victaulic. **Product connections:** 1.5" BSP (Male) or 1.0" BSP (Female).

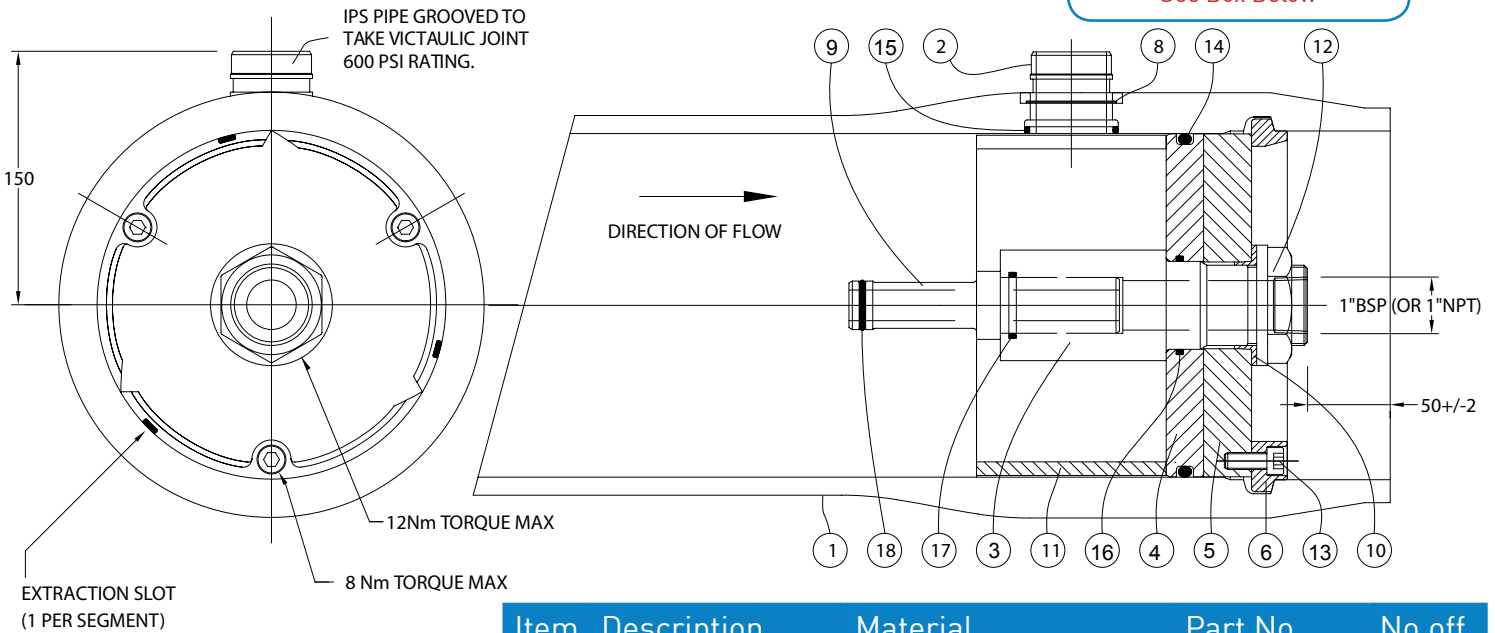
Order Reference	No of 40" Elements	Port to Port Length +/-4mm	Max Support Position	Min Supports Position	Max Dry Weight
8S600X.1	1	1143	740	500	48 kg
8S600X.1.5	1.5	1651	1250	500	54 kg
8S600X.2	2	2159	1750	500	60 kg
8S600X.3	3	3175	2775c	960c	72 kg
8S600X.4	4	4191	3190c	1970c	84 kg
8S600X.4.5	4.5	4699	3375c	2480c	90 kg
8S600X.5	5	5207	3560c	2990c	96 kg
8S600X.6	6	6223	4020c	4020c	108 kg
8S600X.7	7	7239	6170c	5090c	120 kg
8S600X.7.5	7.5	7747	6220c	5330c	126 kg

All dimensions in mm. c = Central support required.
All dimensions and weights are nominal unless stated otherwise.

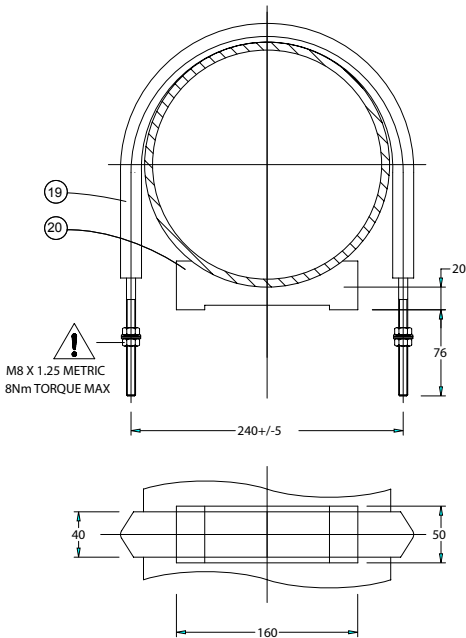
This data sheet supersedes all previous issues.
Product Code: 8S600X ISSUE:C

8" Side Port Pressure Vessel 600 psi (41.4 bar)

ORDER REFERENCE
See Box Below



SIDE PORT OPTIONS	SIZE	STYLE	Configuration
	1.5"	1)	2 Same side - 0°, 0°
	2.0"	2)	2 Opposing - 0°, 180°
		3)	3 port - 0°, 180°
		4)	4 port - 0°, 180°



For lubricants and general assembly refer to the **User Guide** on our website.

Item	Description	Material	Part No.	No.off
1	Vessel Body	Glass Fibre Epoxy Resin	BDY 2139	1
2	Feed/Concentrate Port	St. Steel 316L	CMP 3298.A - 1.5" CMP 3291.A - 2.0"	2/3/4
3	Hub	Thermoplastic	CMP 3366.A	2
4	End Cap	Thermoplastic	CMP 1954.A	2
5	Backing Plate	Anodised Aluminium	CMP 1948	2
6	Retaining Ring Segment	St. Steel 316	CMP 1469	2 sets of 3
8	Spiroloc Circlip	St. Steel 302 (included in item 2)	CMP 1950 - 1.5" CMP 2029 - 2.0"	2/3/4
9	Adaptor	Thermoplastic	To suit membrane	2
10	Anti-rotation Collet	Thermoplastic	CMP 1894	2
11	Thrust Ring	Thermoplastic	CMP 3069.A	1
12	1.5" BSP Backnut	St. Steel	CMP 1979	2
13	Cap Head Screw	St. Steel Grade A2	CMP 1520	6
14	'O' Seal Endplate	EPDM (Included in item 4)	BS882	2
15	'O' Seal Feed Port	EPDM (Included in item 2)	BS227 - 1.5" BS232 - 2.0"	2/3/4
16	'O' Seal Hub/Endcap	EPDM (Included in item 4)	BS832	2
17	'O' Seal Prod/Adaptor	EPDM (Included in item 3)	BS219	2
18	'O' Seal Adaptor	EPDM (Included in item 6)	To suit membrane	4
19	Strap	St.Steel/PVC	CMP 3426.A	2/3
20	Saddle	Polypropylene	CMP 3920	2/3
	Adaptor Spacer Shims	ABS (included in item 9)	CMP 1674	8

DO NOT EXCEED THE MAXIMUM TORQUE.

The company reserves the right to alter specifications without prior notice.
This data sheet supersedes all previous issues. Product Code: 8S600X ISSUE:X