

## TIP Number 1 - 8" Dummy Elements

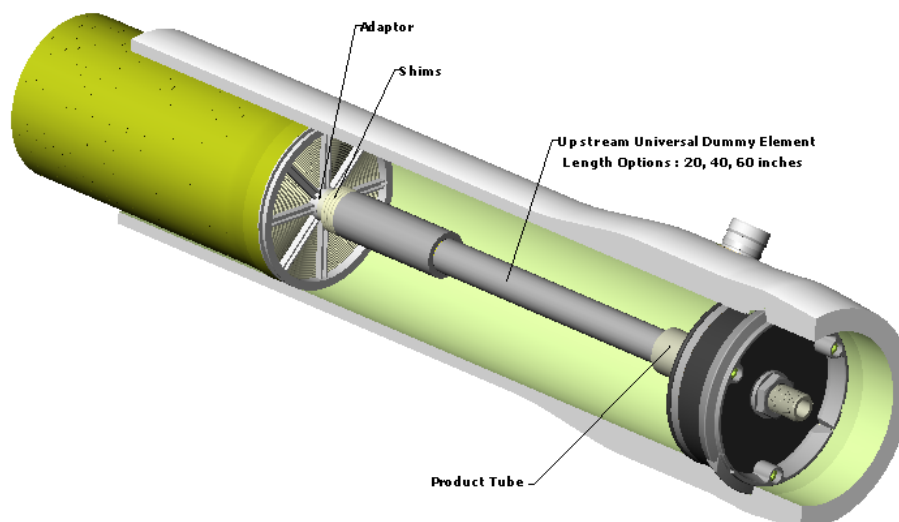
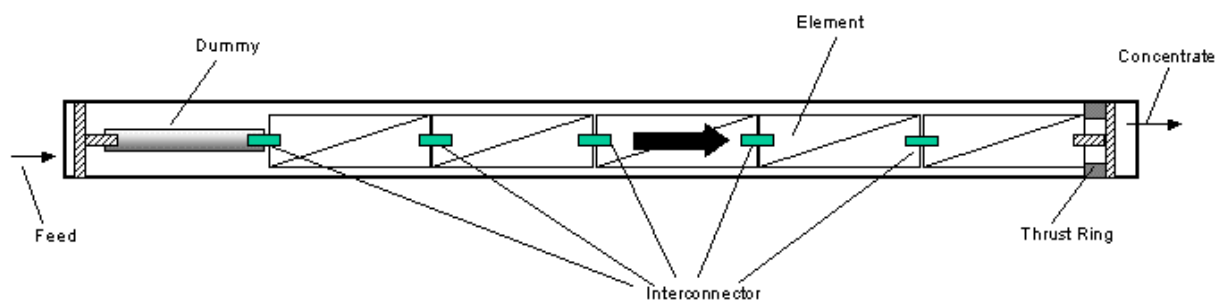
These are designed to replace up to one standard membrane element within each housing so that more output can be easily obtained at a future date by changing the dummy for a real membrane element. It also allows system designers and constructors to reduce the number of types of vessel length required.

There are three forms of the Dummy Element available.

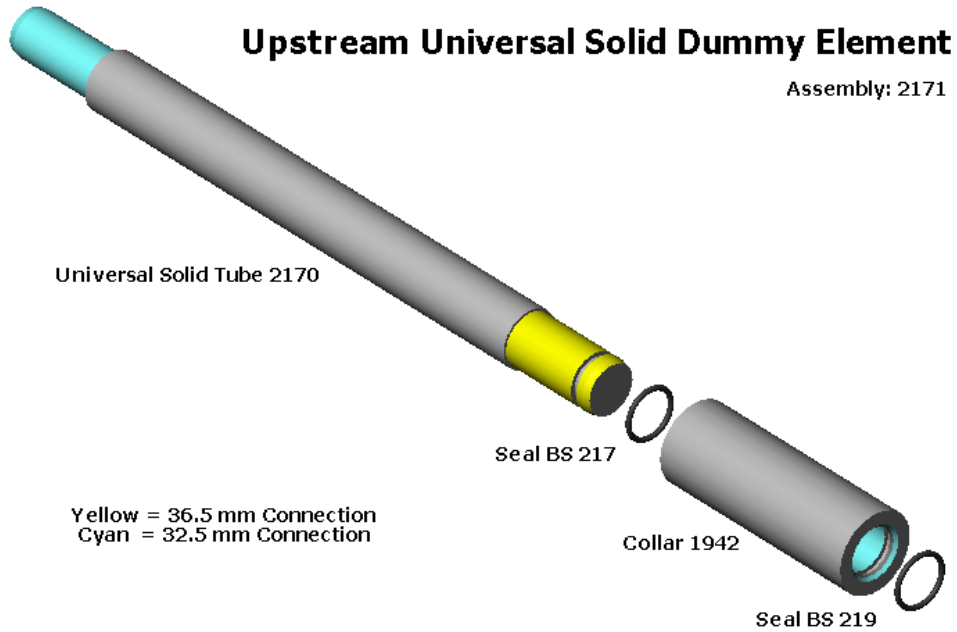
- |     |                  |  |
|-----|------------------|--|
| (1) | Most Widely Used | - Upstream Solid Dummy Element (all pressures) |
| (2) | Sometimes Used   | - Upstream Hollow Dummy Element (400 psi max)  |
| (3) | Rarely Used      | - Downstream Solid Dummy Element               |

There are three length options available – 20, 40 and 60 inch.

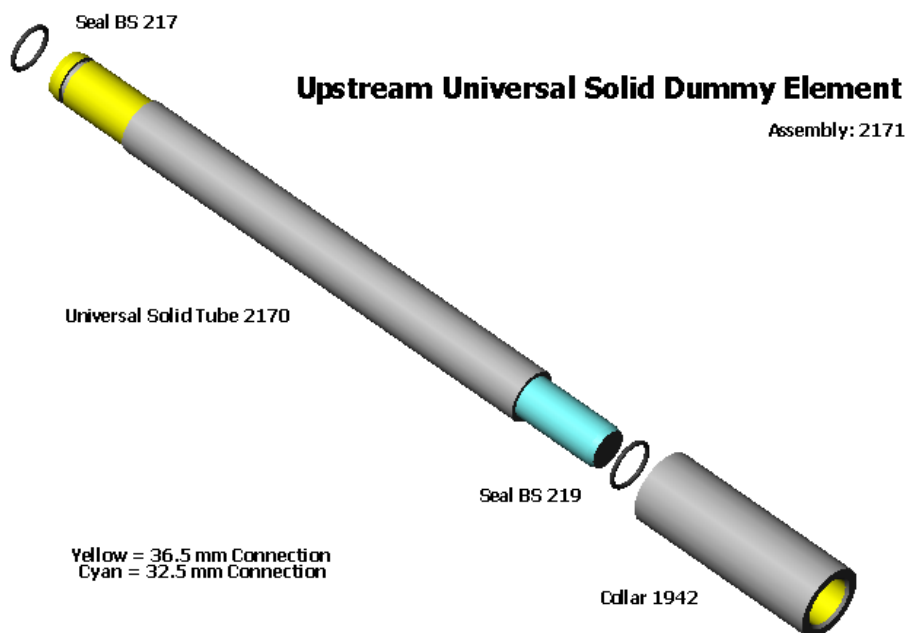
The following shows typical schemes with the dummy element located upstream.



The most widely used variant is shown here – it may be connected to give either a 32.5 mm or 36.5 mm (approx) connection diameter. This is useful when connecting to the new iLEC system from DOW.



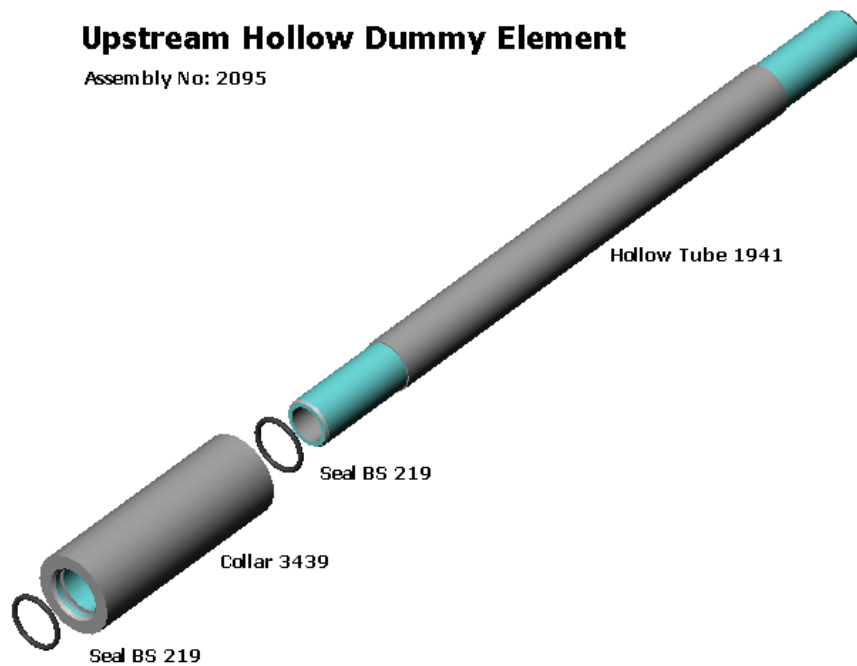
Reversing both the Collar and Solid Tube changes the connection diameter.



If permeate sampling is required (upto 400 psi).

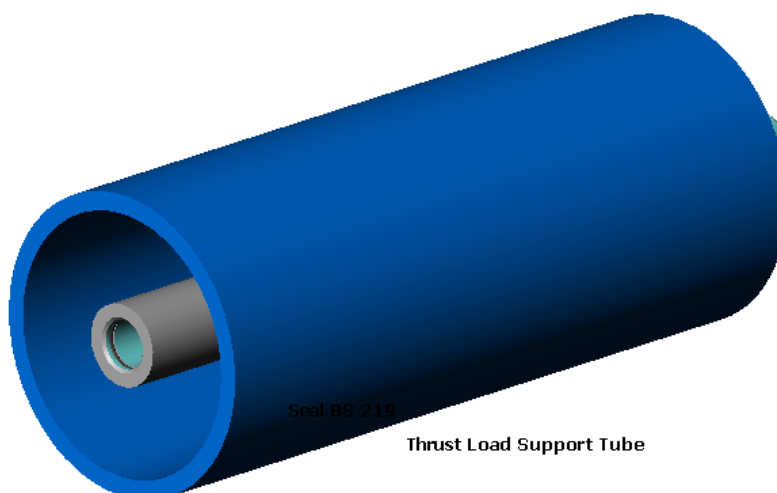
### Upstream Hollow Dummy Element

Assembly No: 2095



Finally all of the above options may be selected for use DOWNSTREAM provided a 20, 40 or 60 inch Thrust Load Support Tube is purchased.

### Downstream Dummy Element





## Update to TIP Number 1 - Posted August 2006

---

Question:

Can the Upstream Hollow Dummy Element be used in 1000 psi housing as the current maximum rating for this item is stated at 400 psi ?

Answer:

Yes, after carrying out burst test with this item fitted the new rating is 1000 psi.

*Refer to Replacement TIP Number 5*